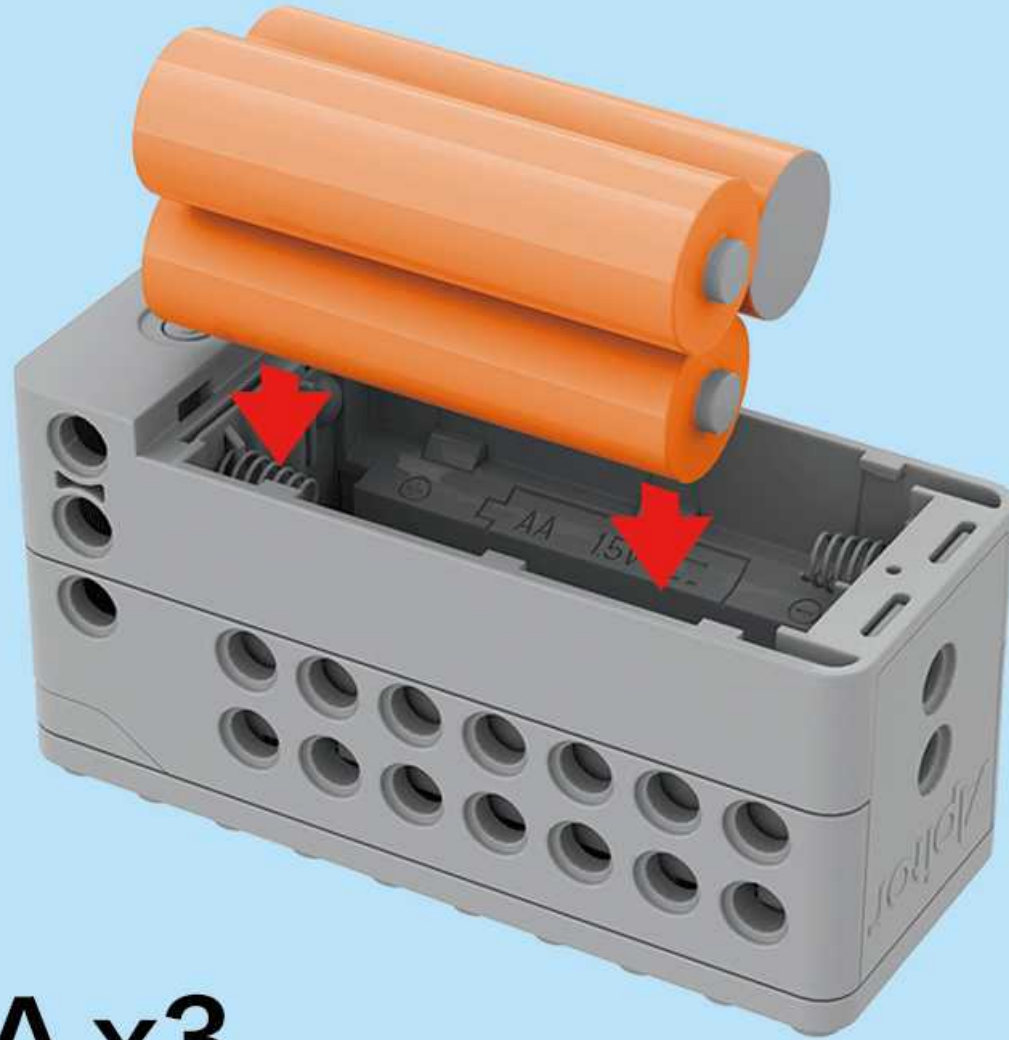
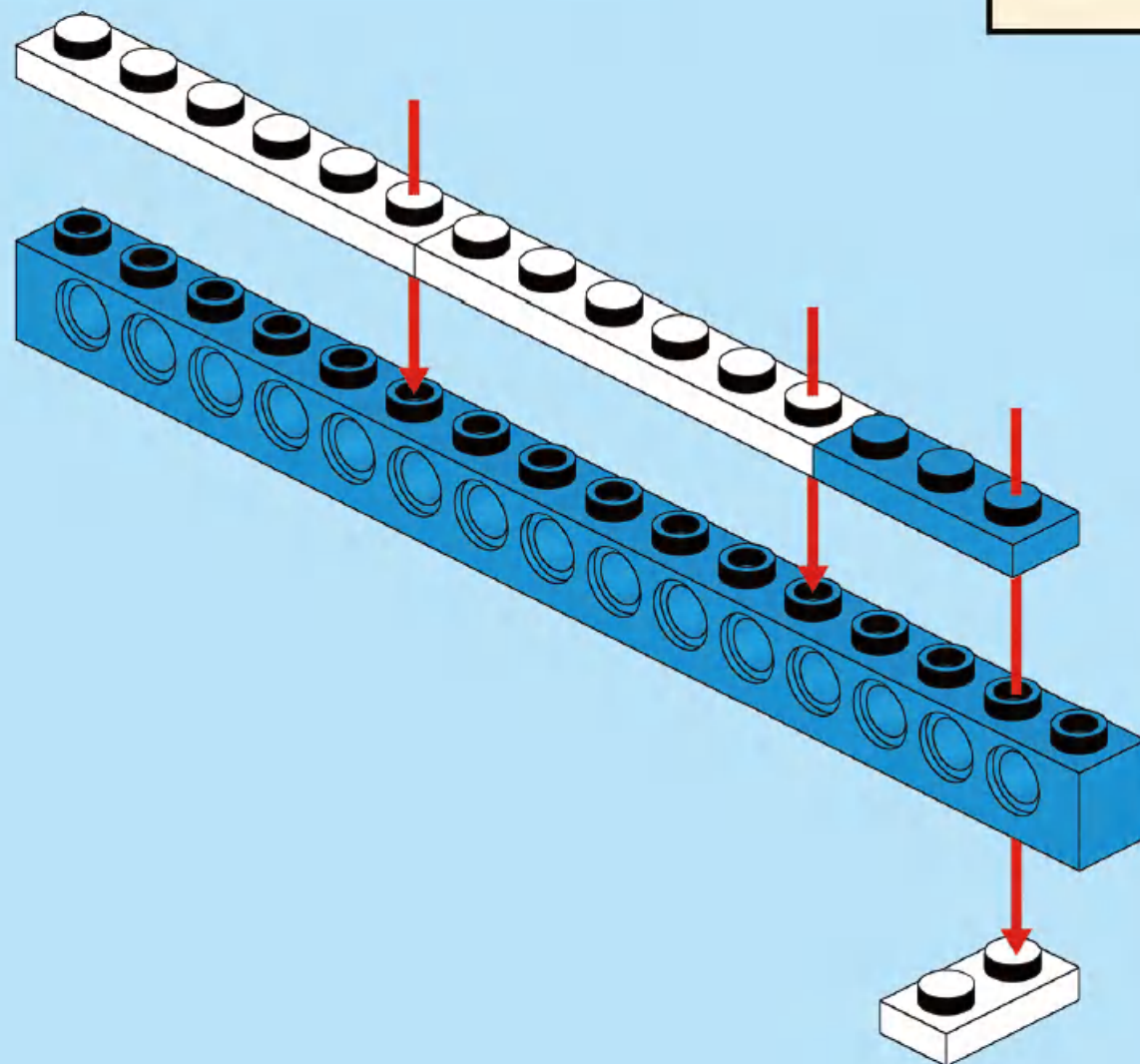
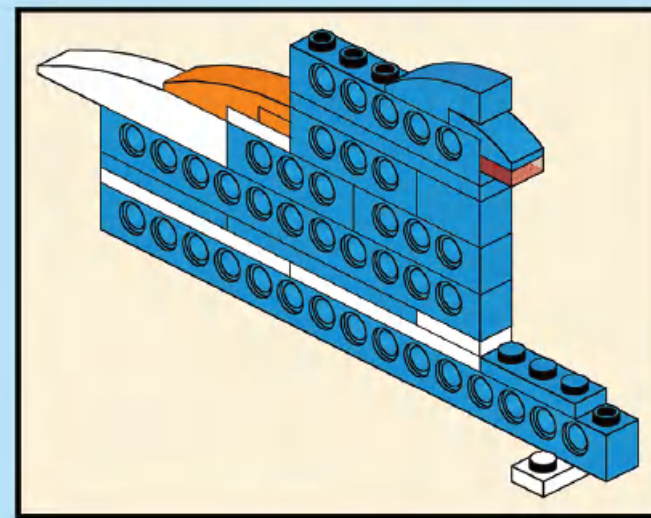
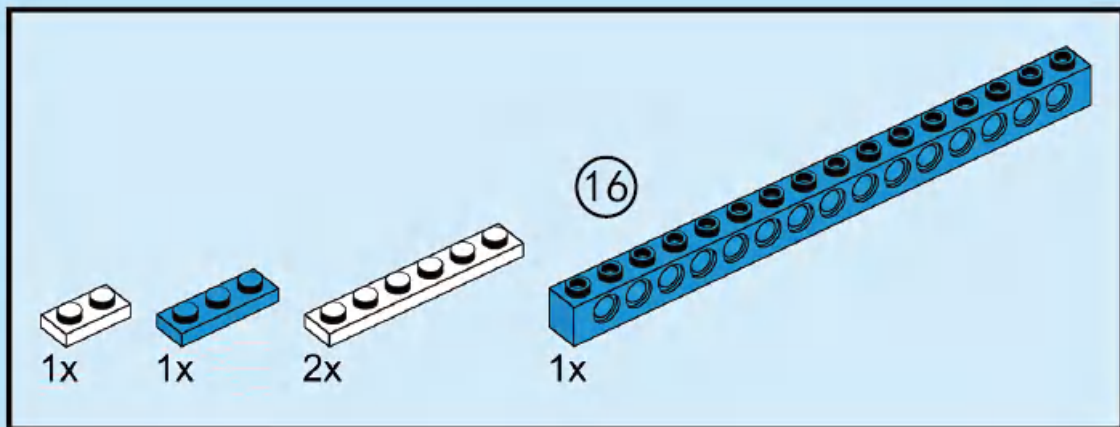


0

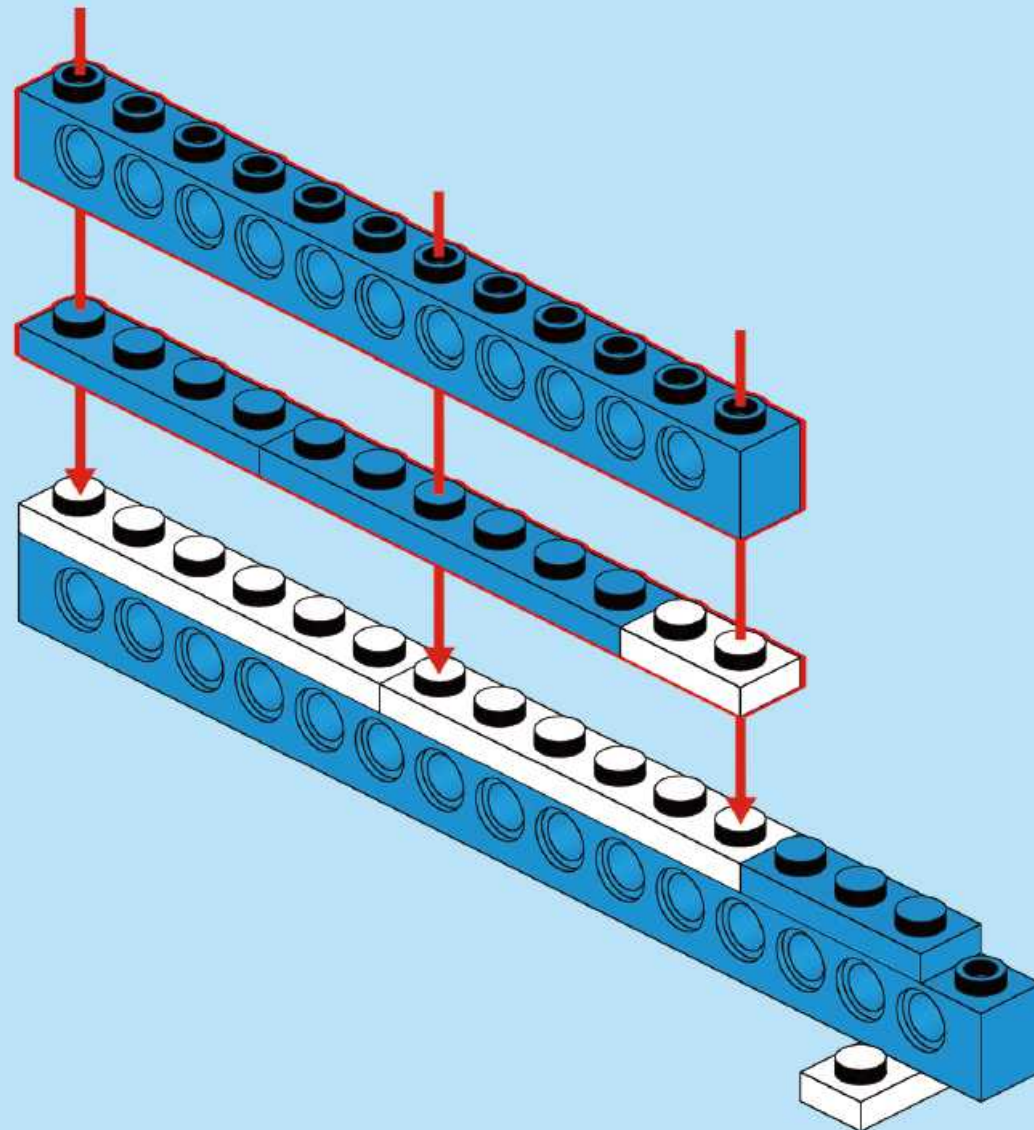
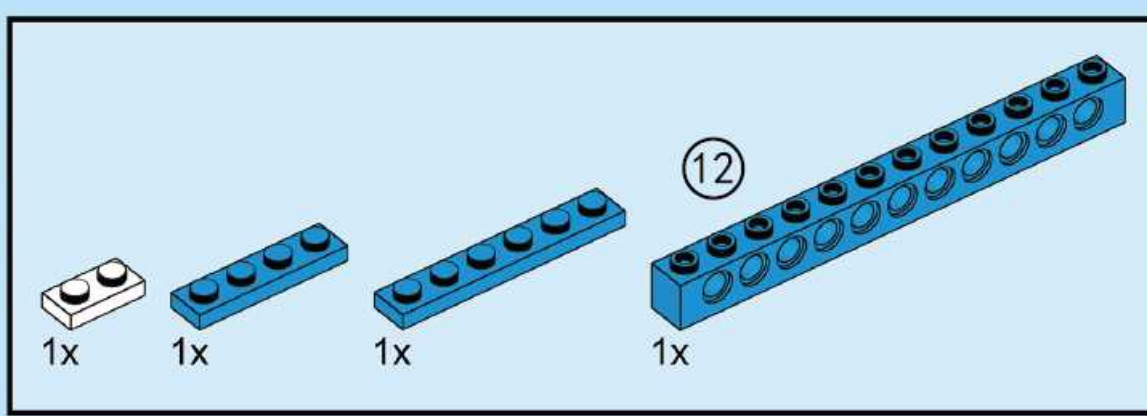


**AA x3**

# 1

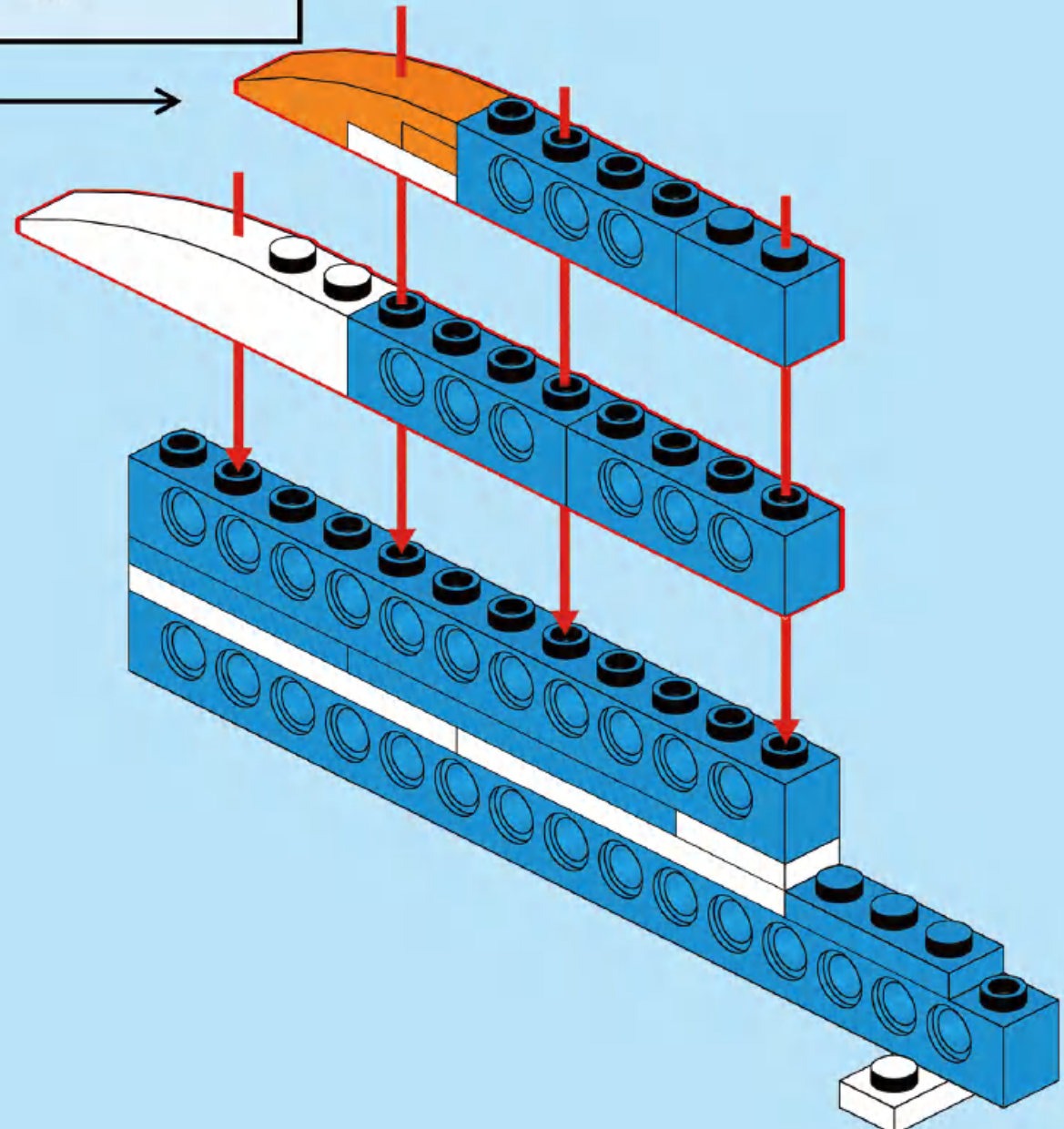
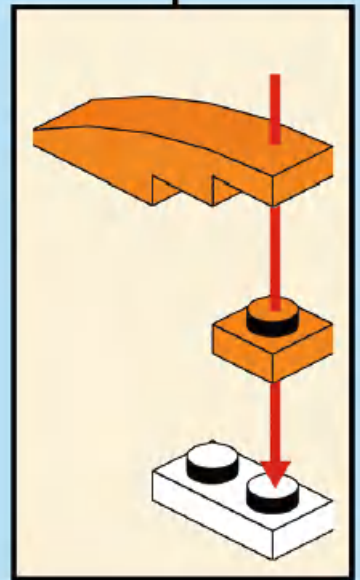
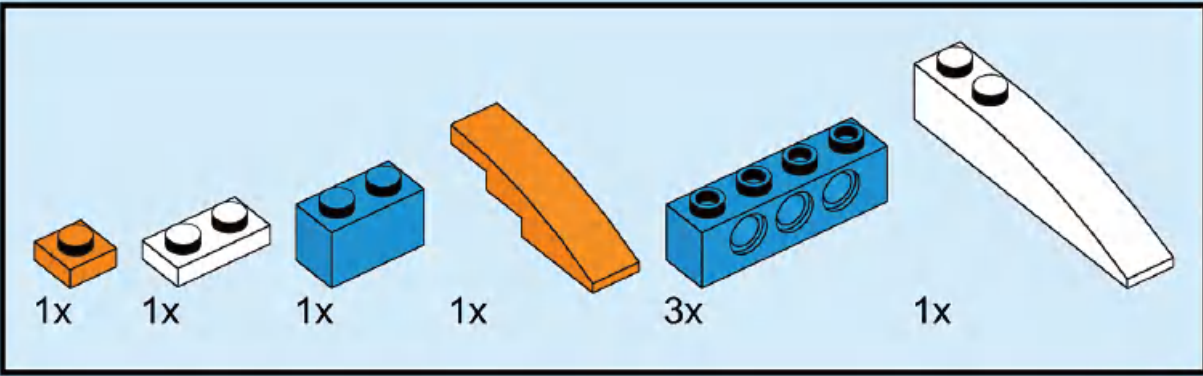


# 2

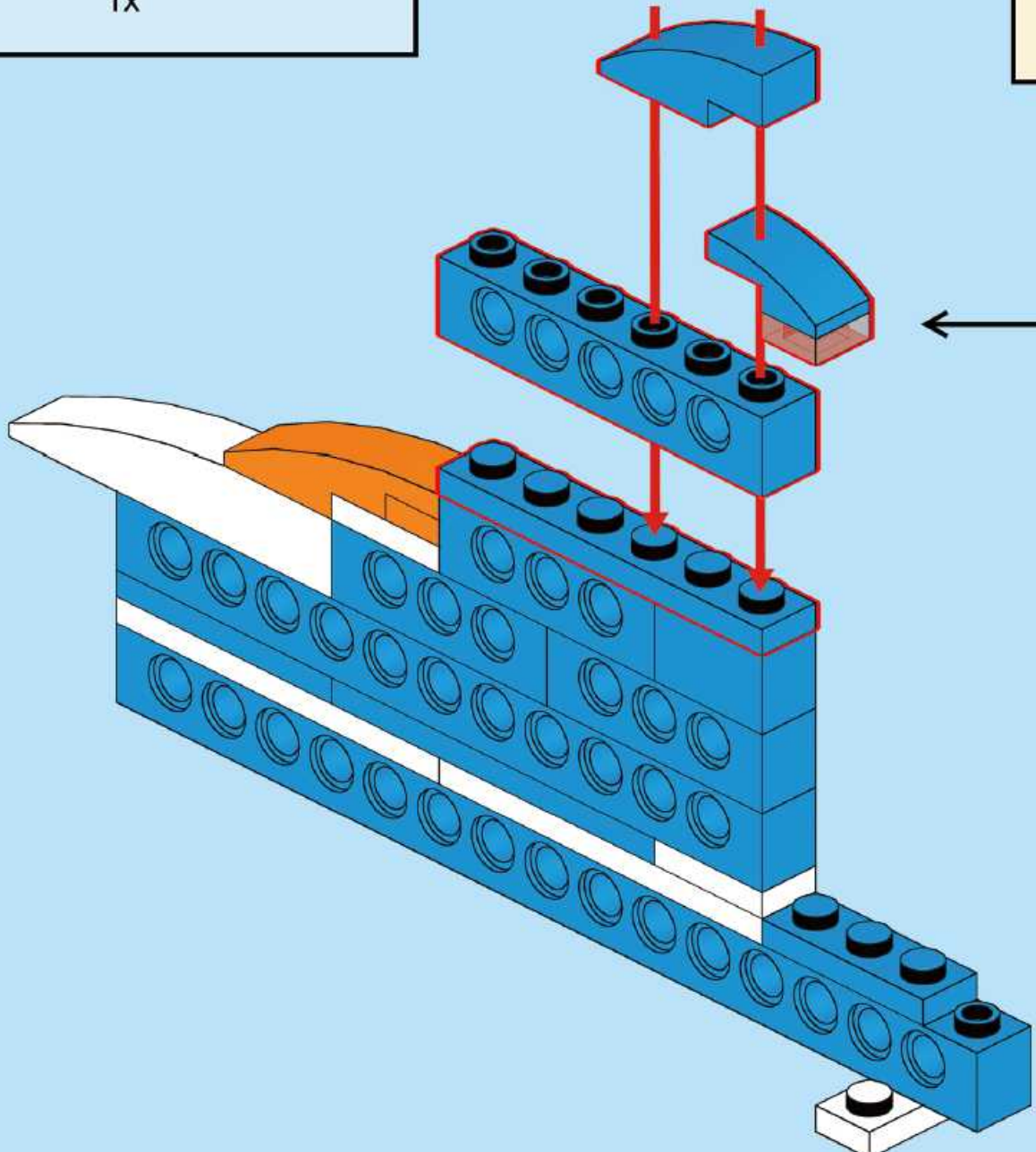
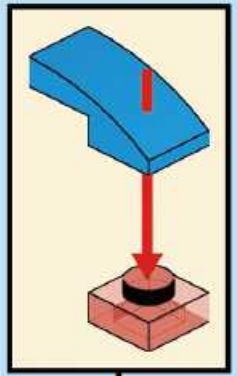
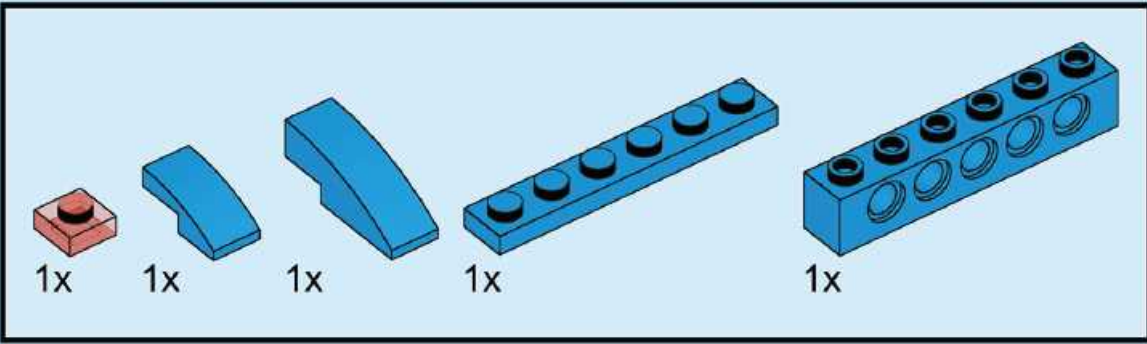




# 3

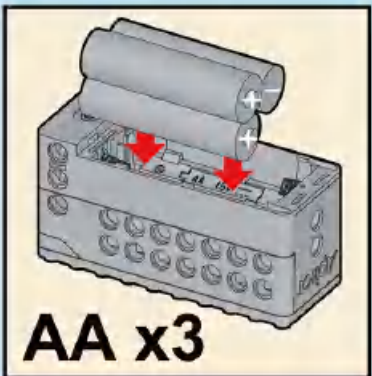
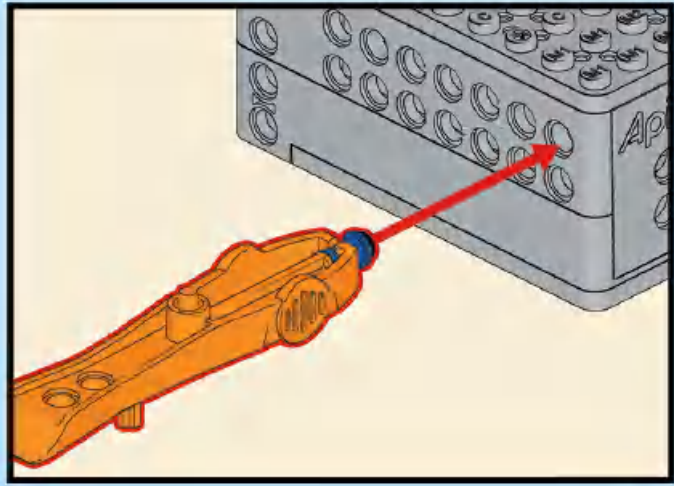
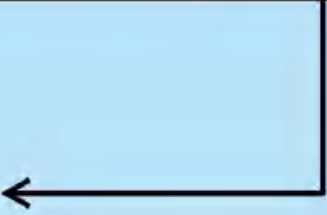
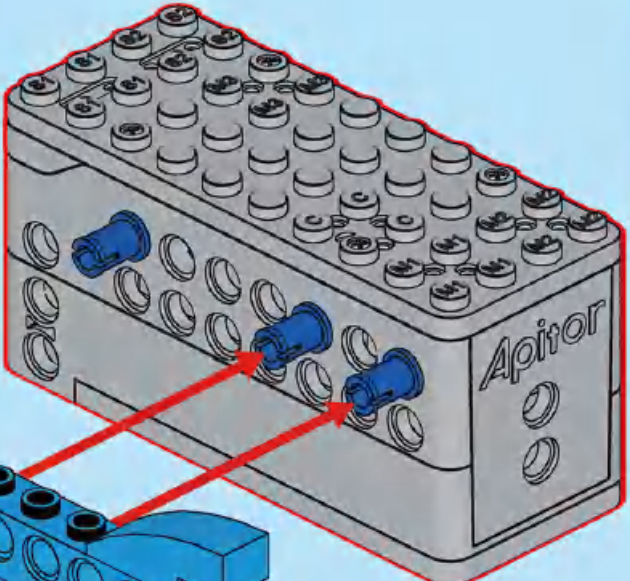
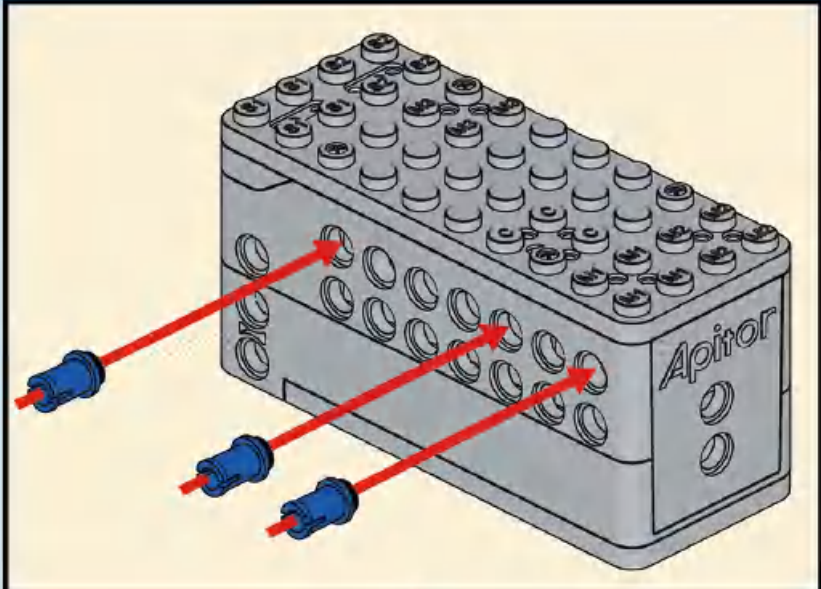
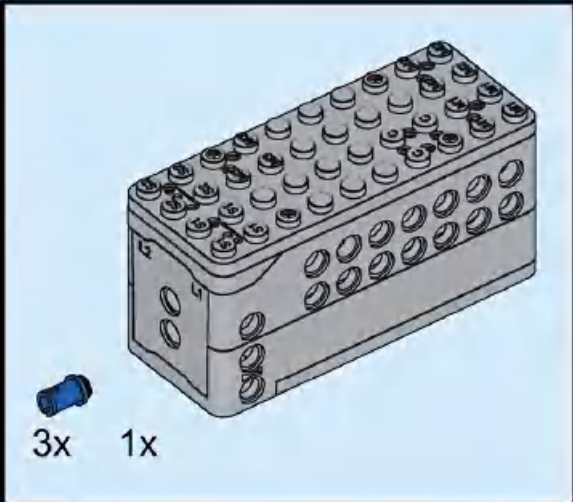


4

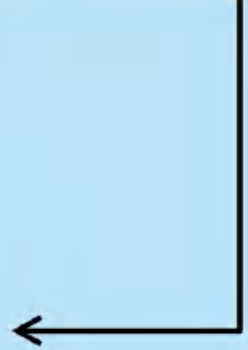
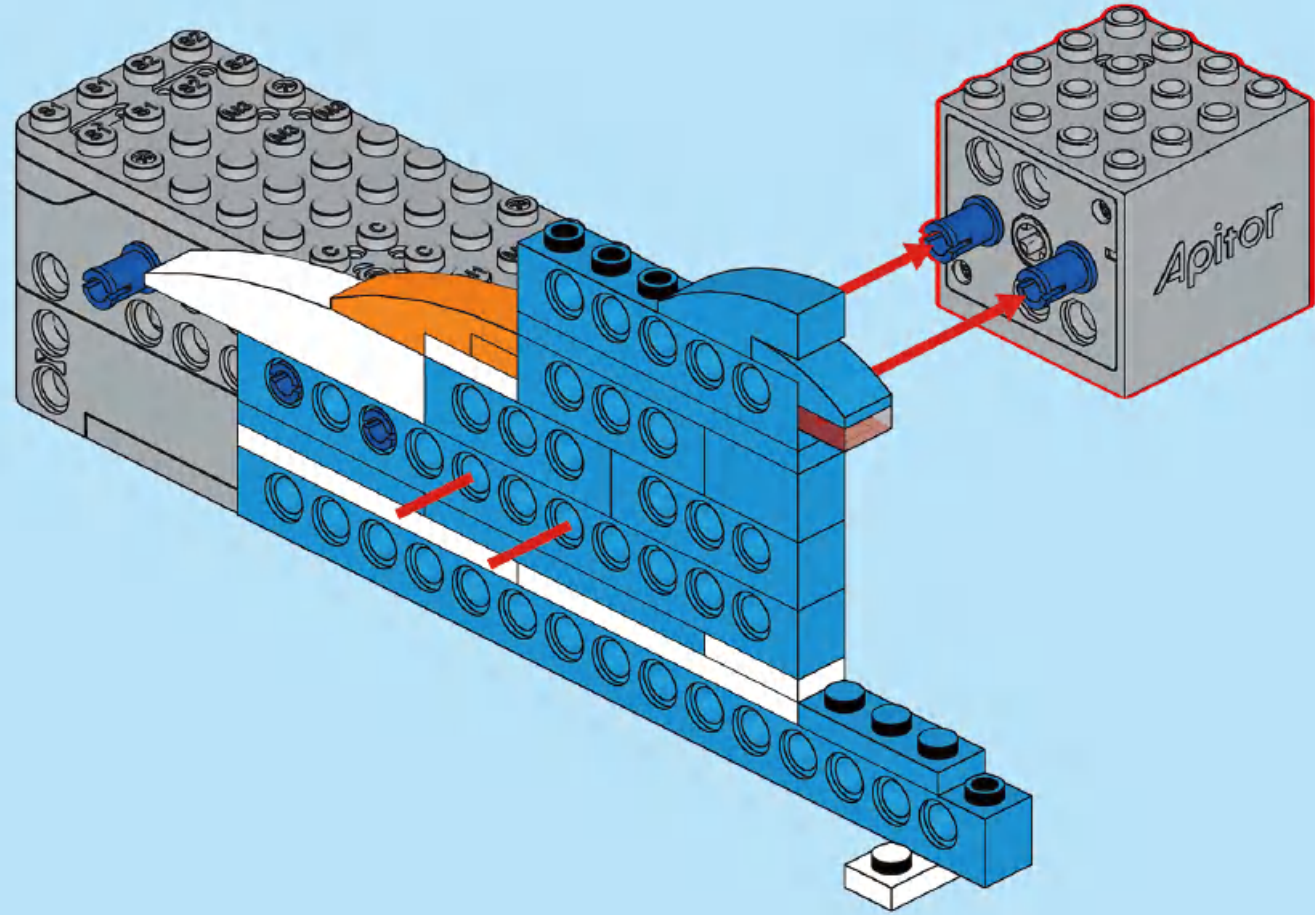
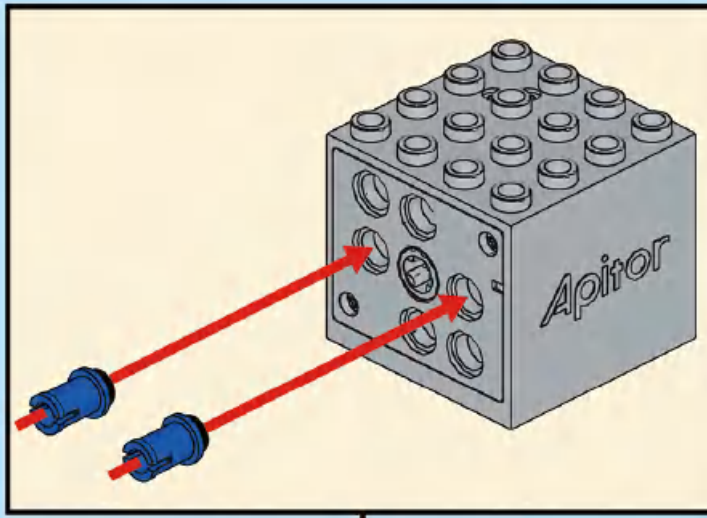
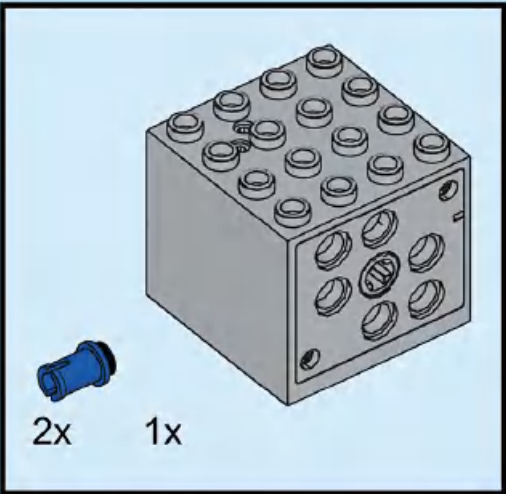




5

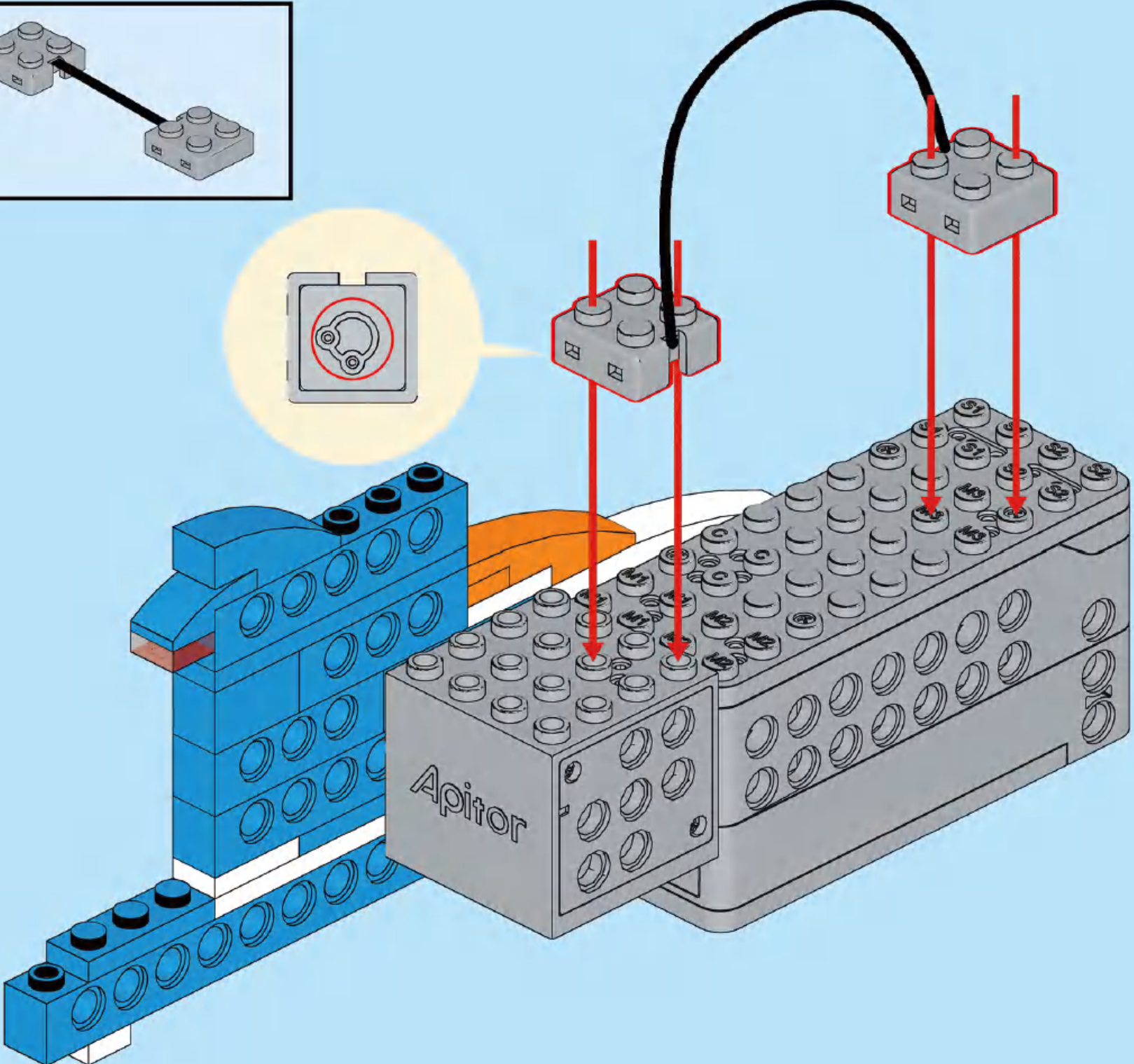
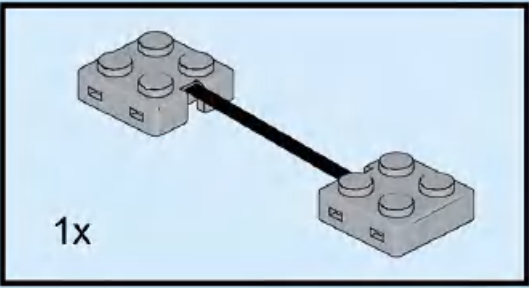


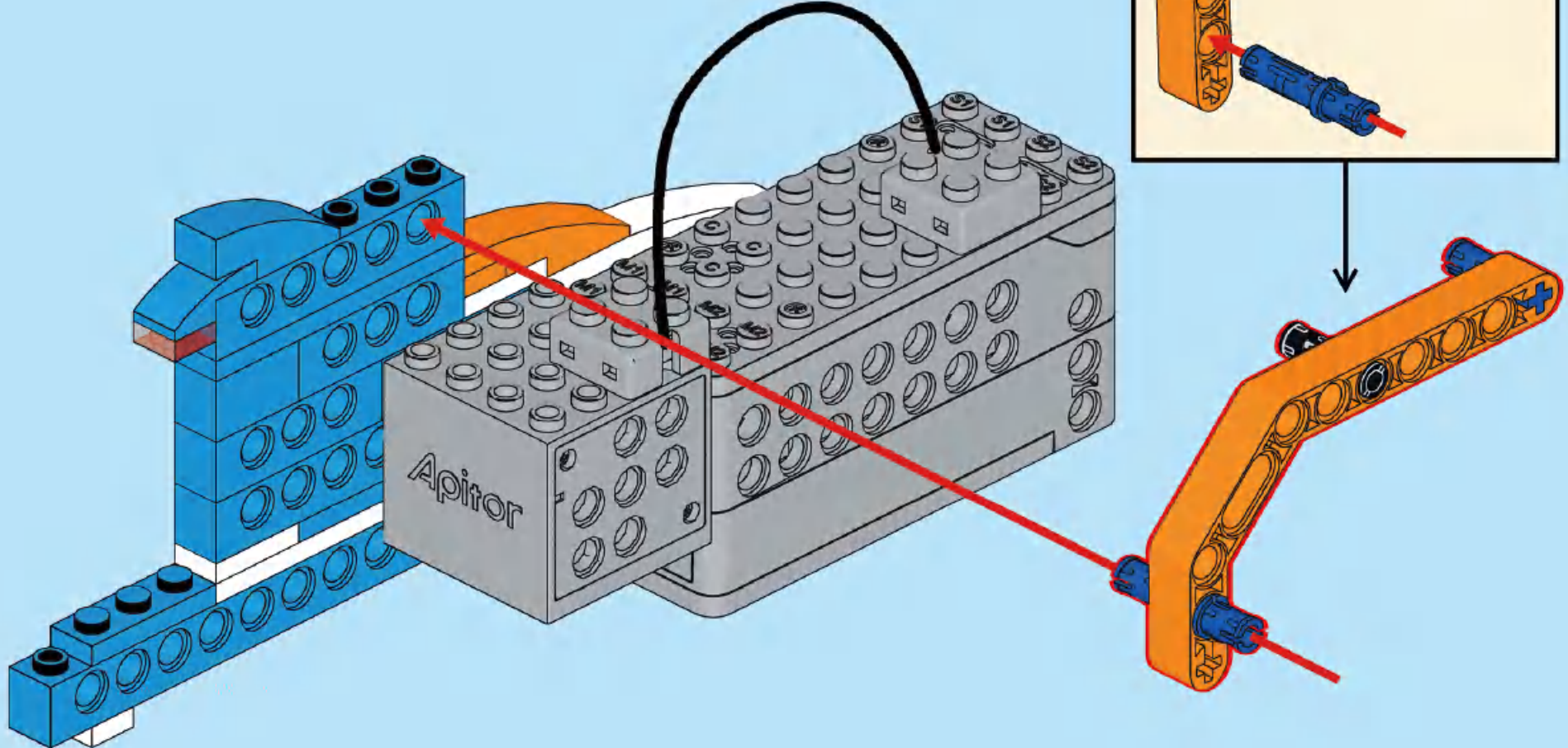
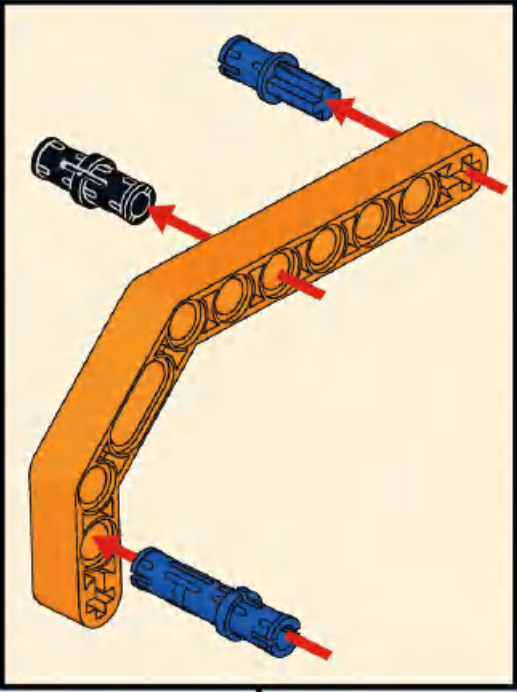
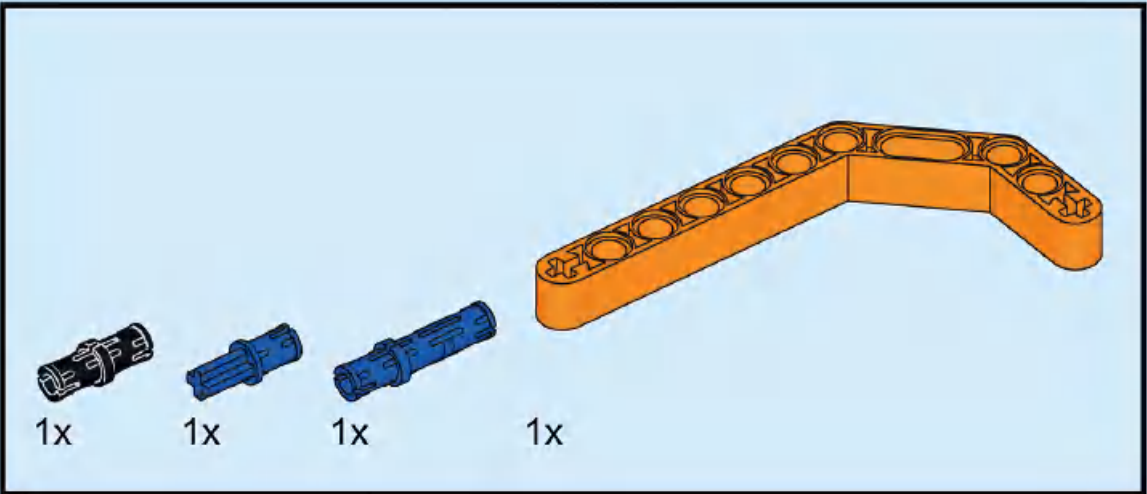
6





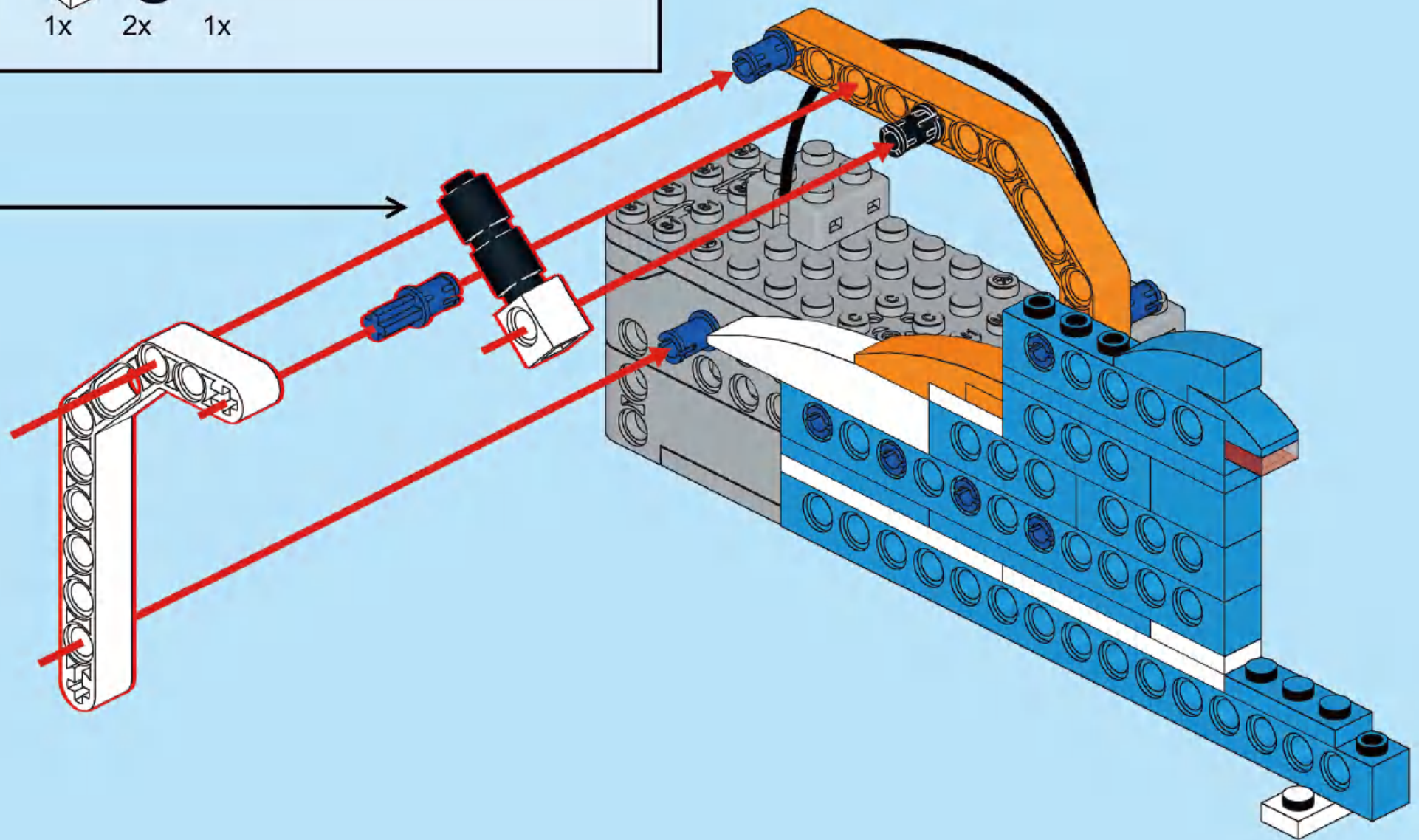
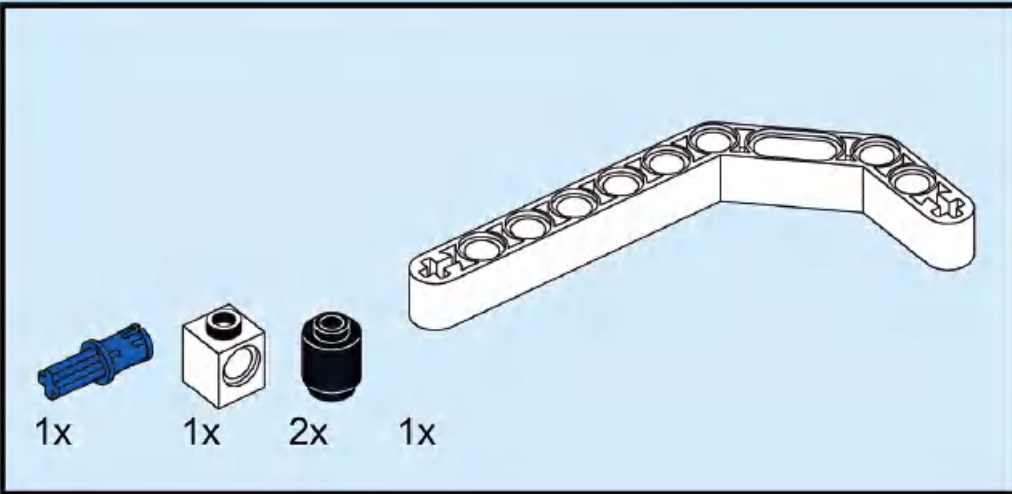
7





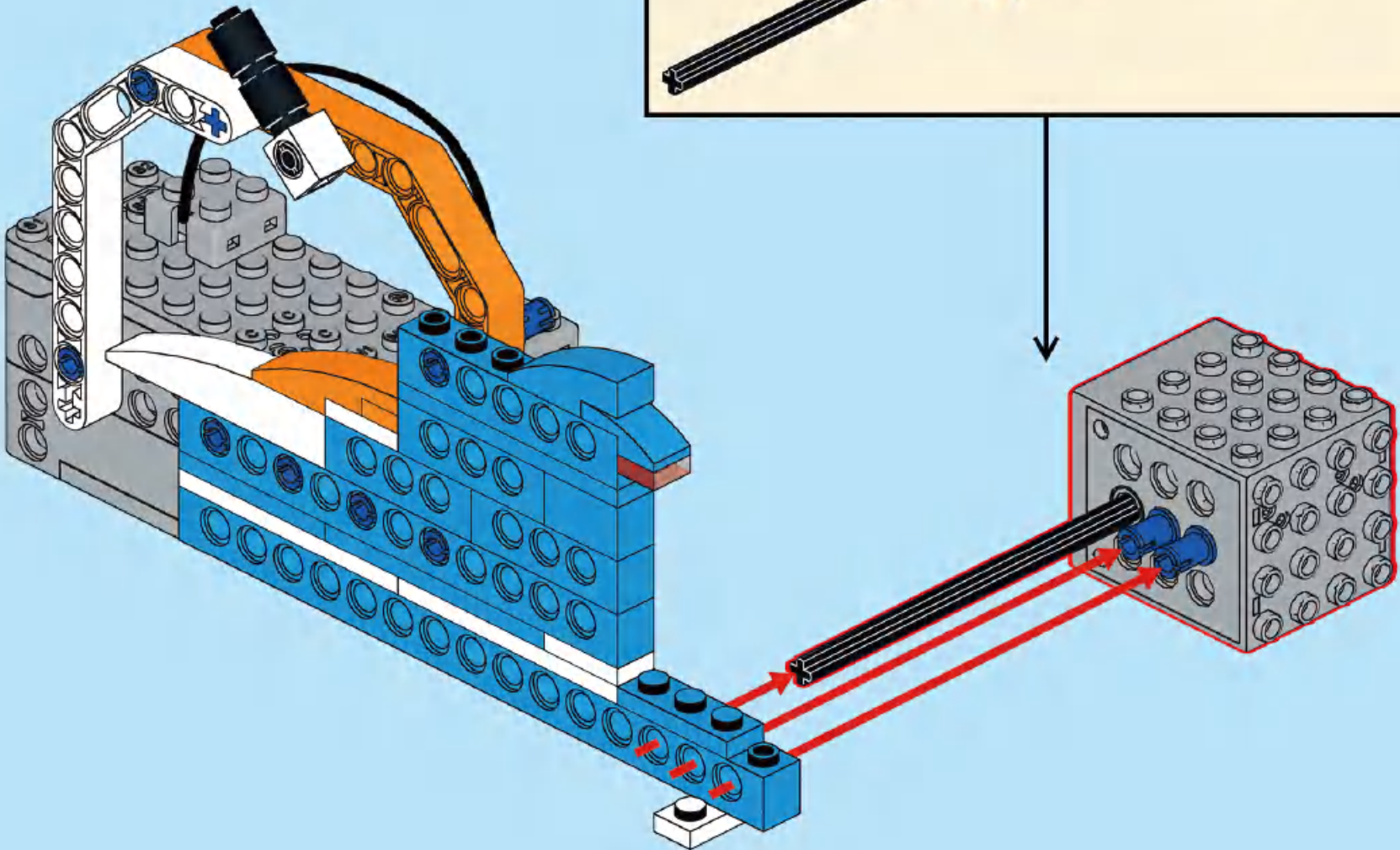
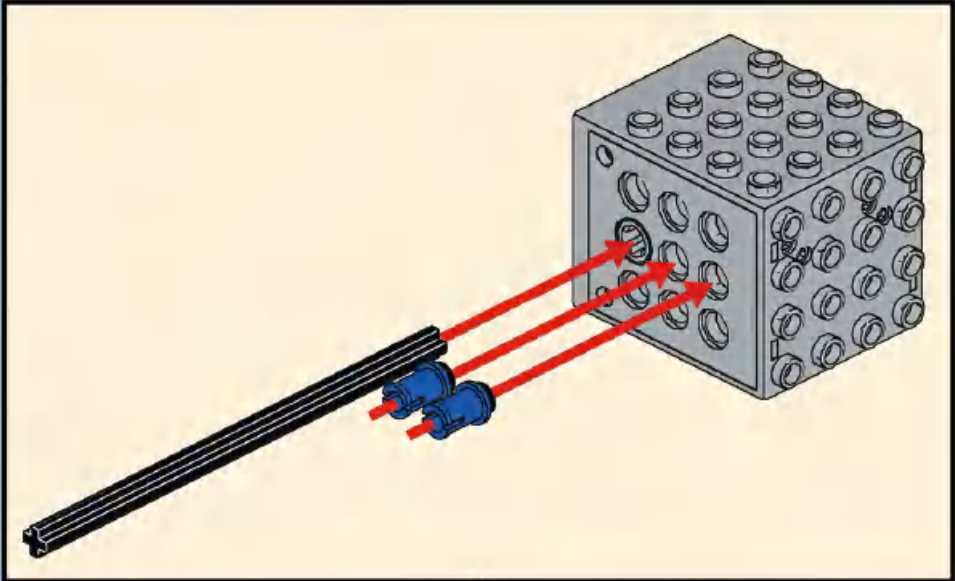
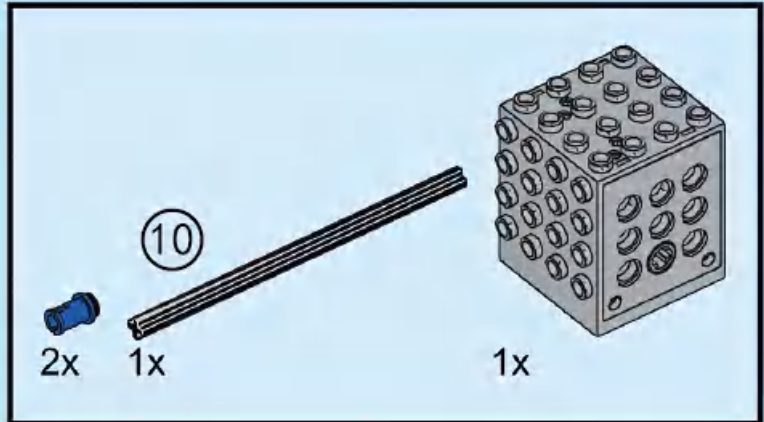


9

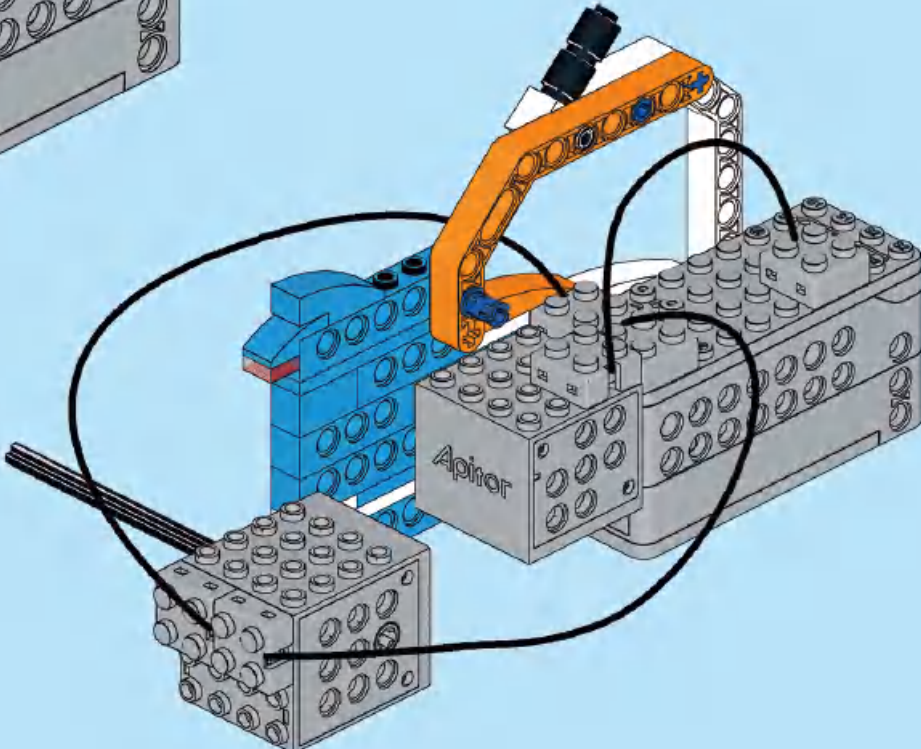
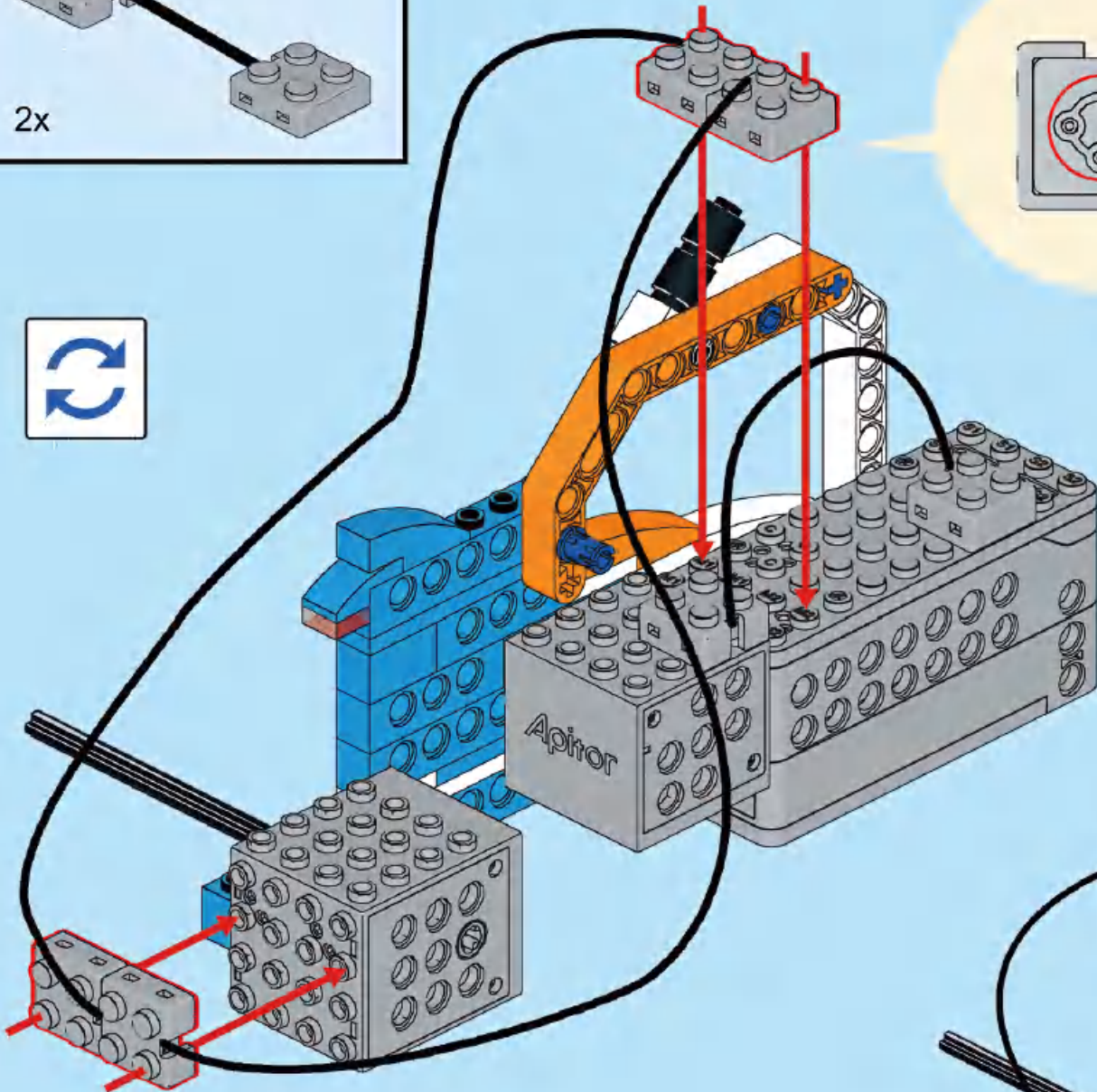
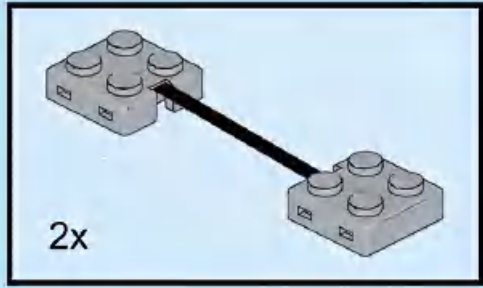




# 10

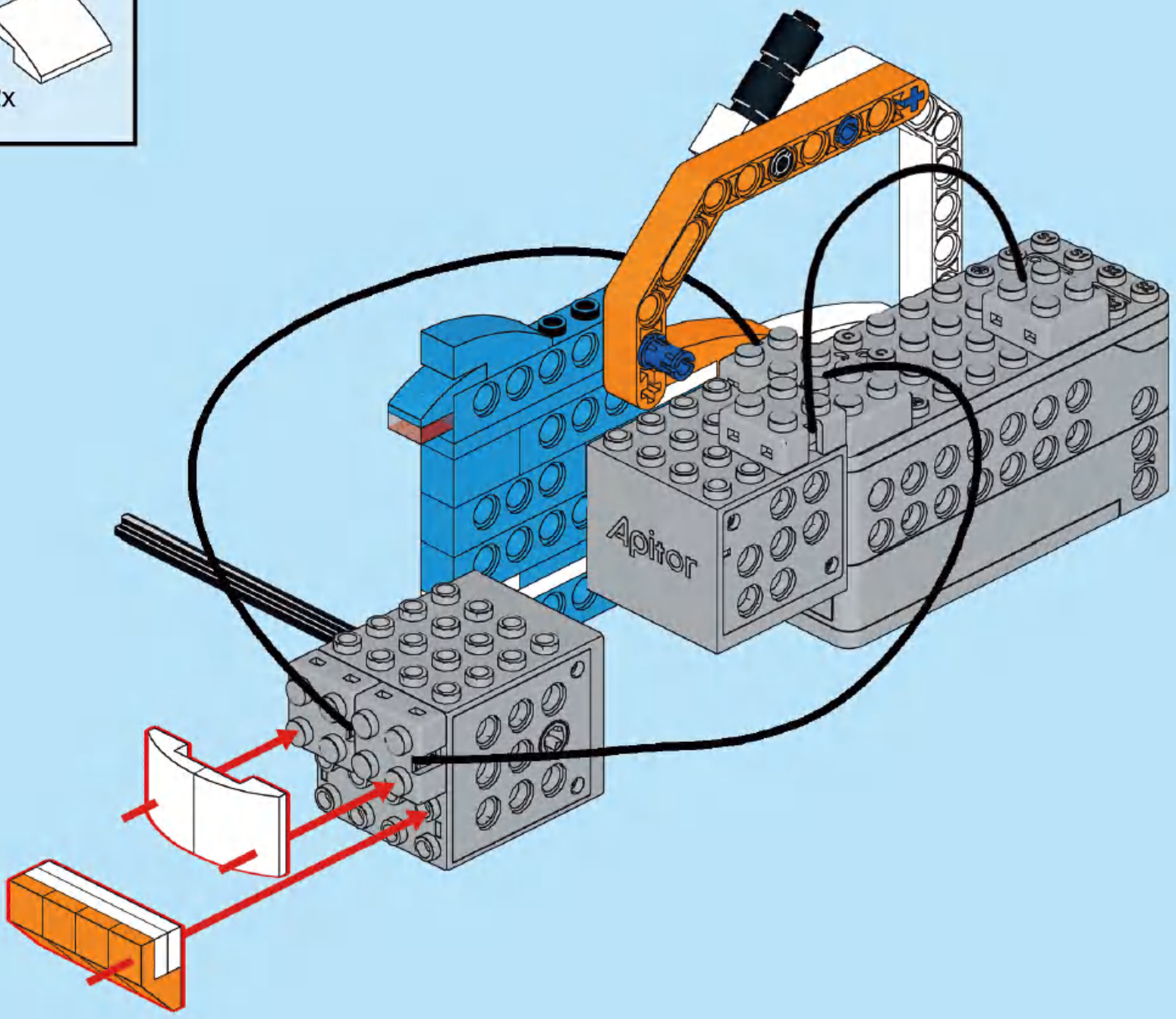
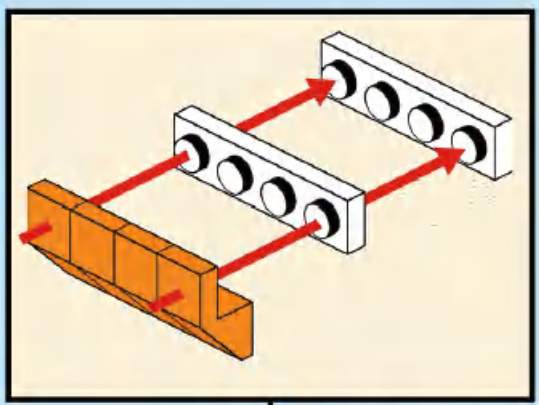
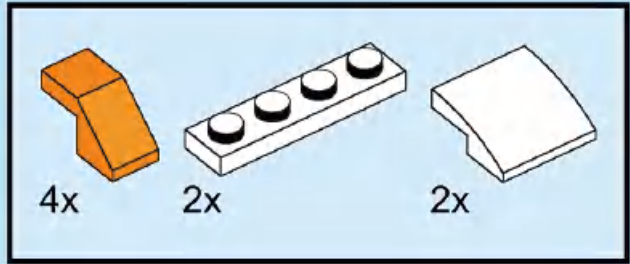


# 11



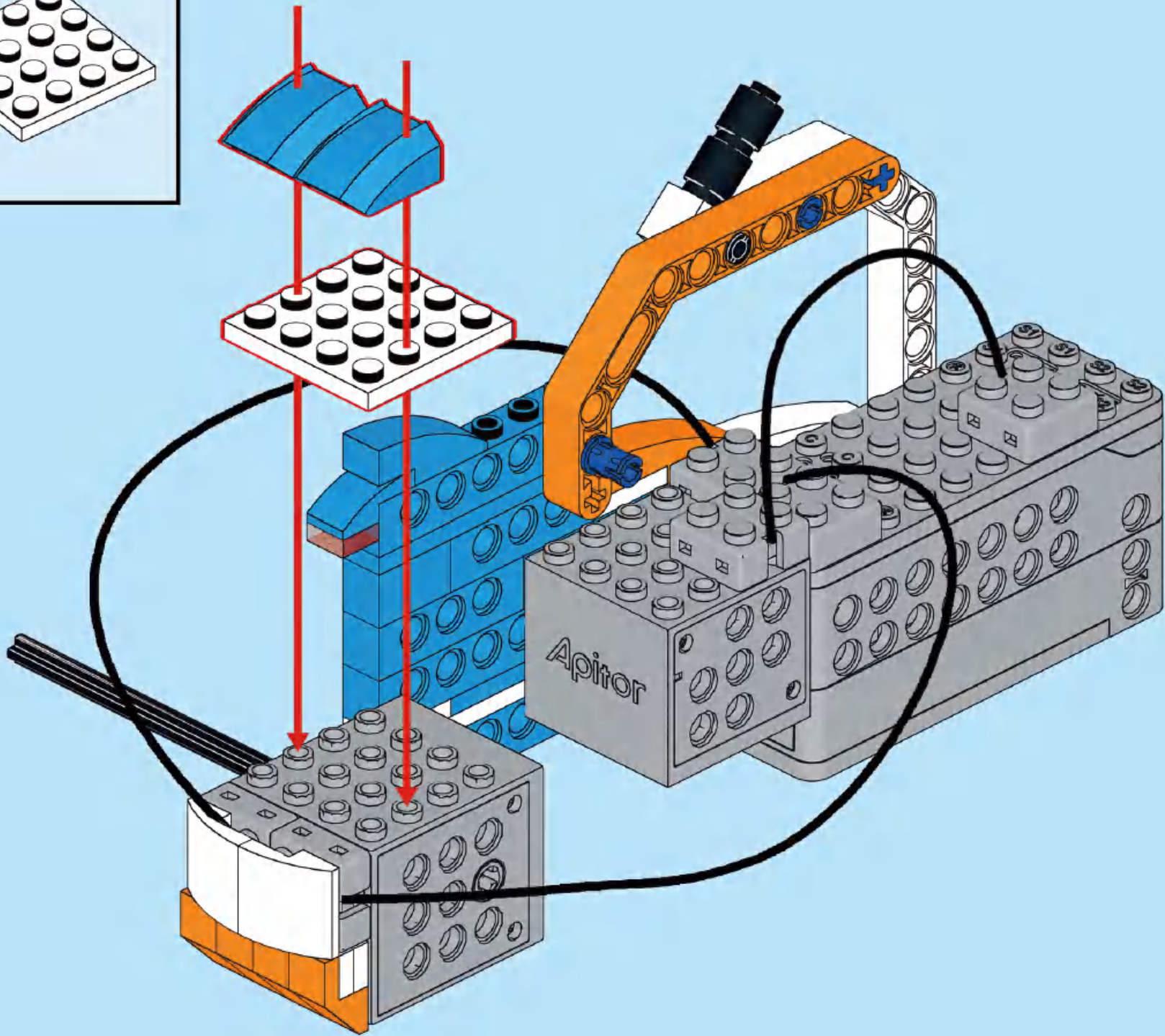
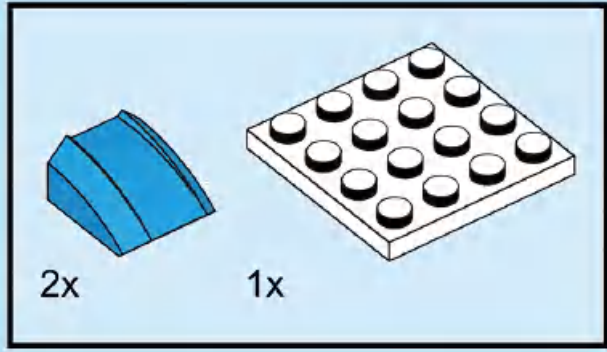


# 12








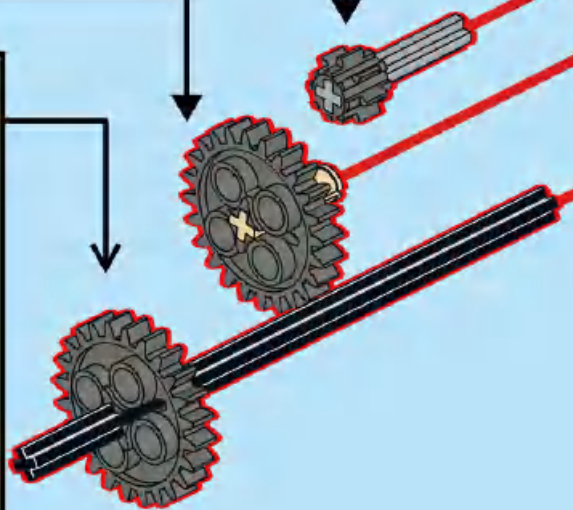
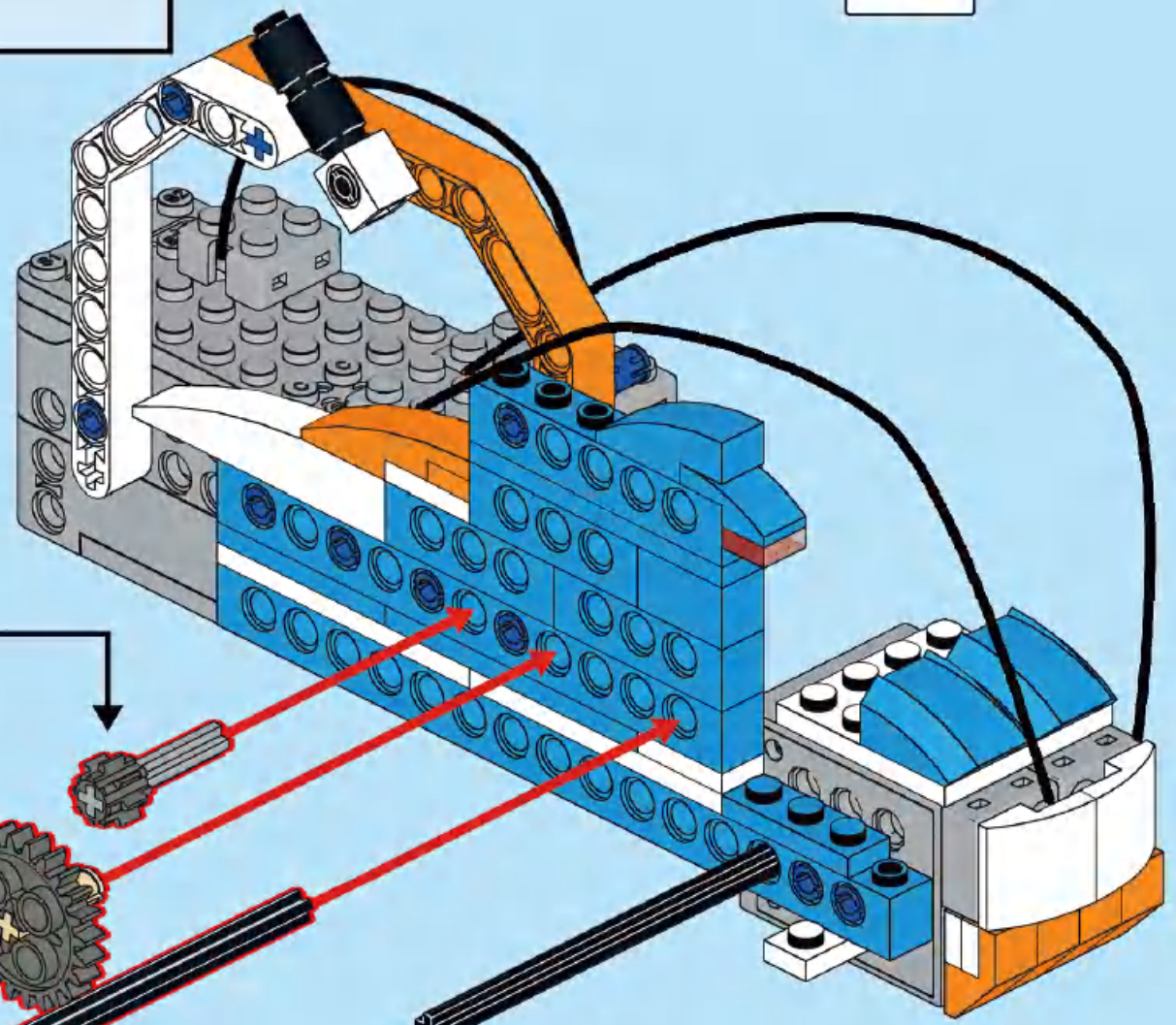
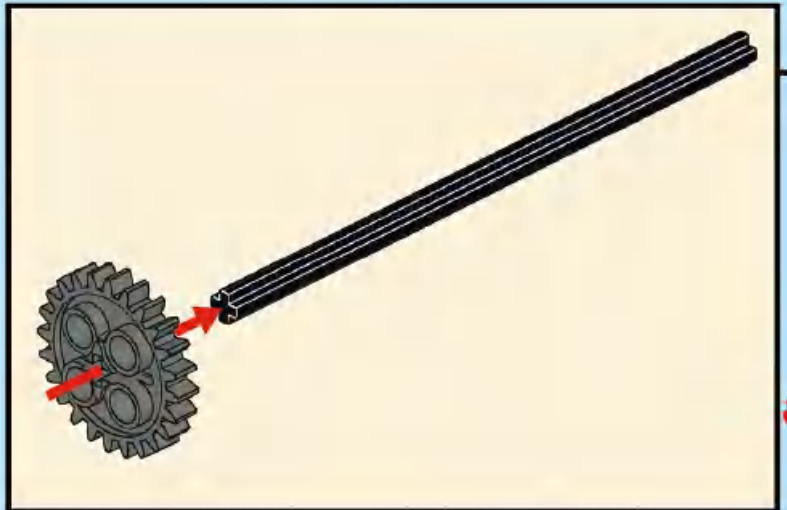
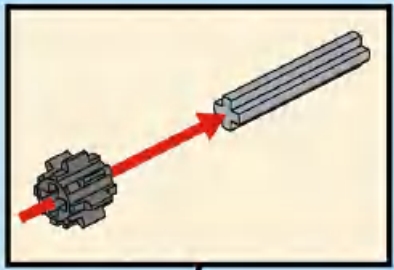
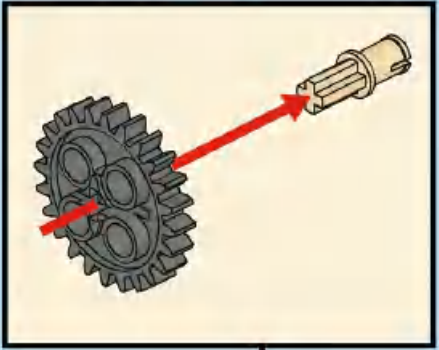


# 13



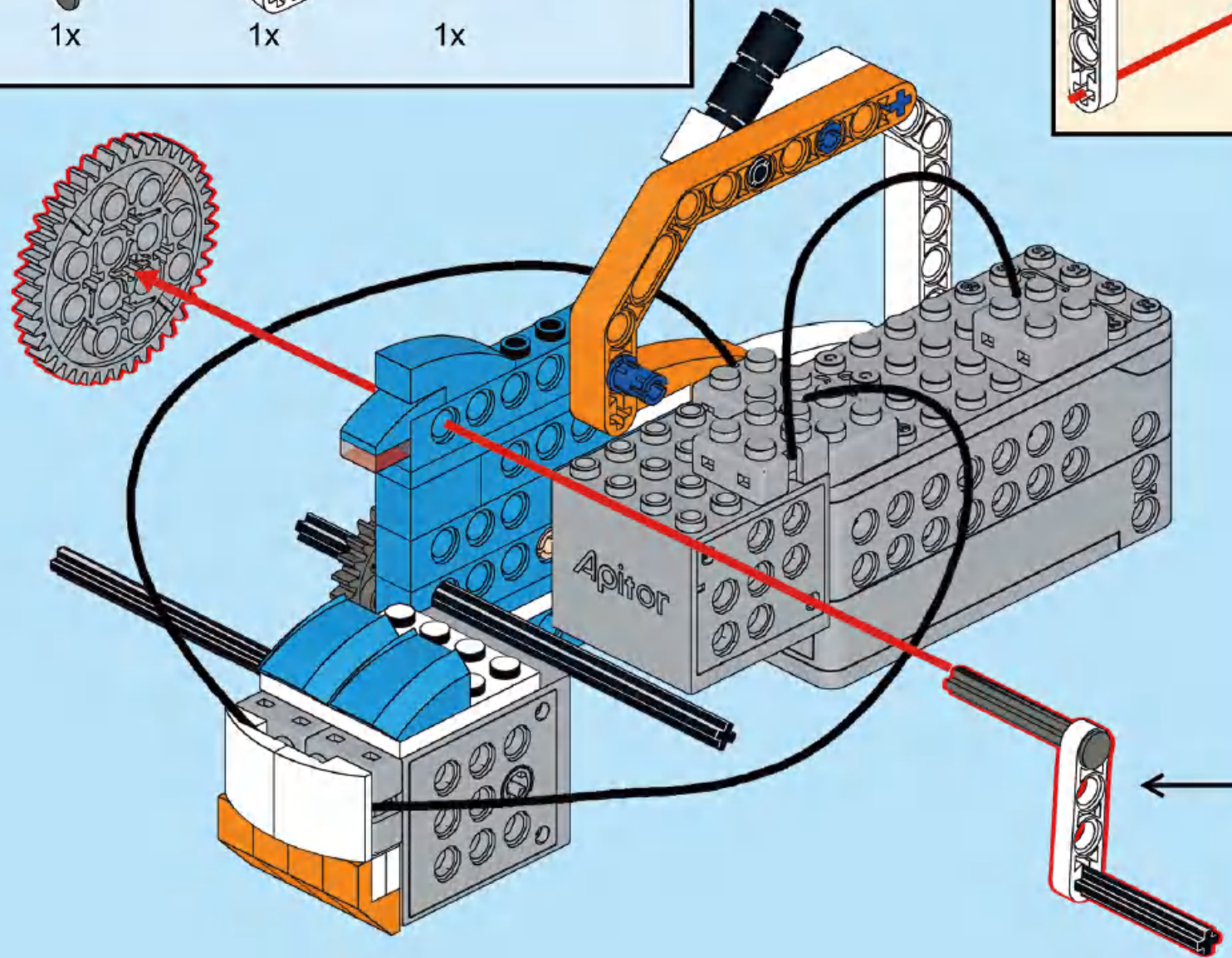
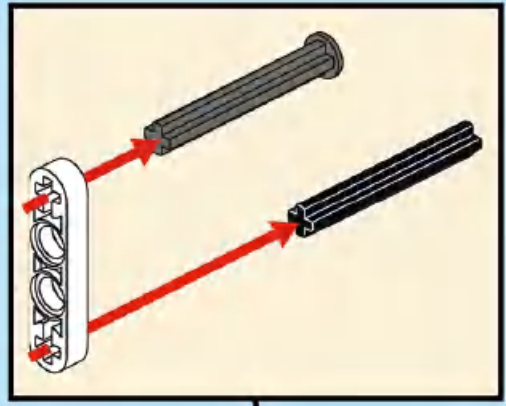
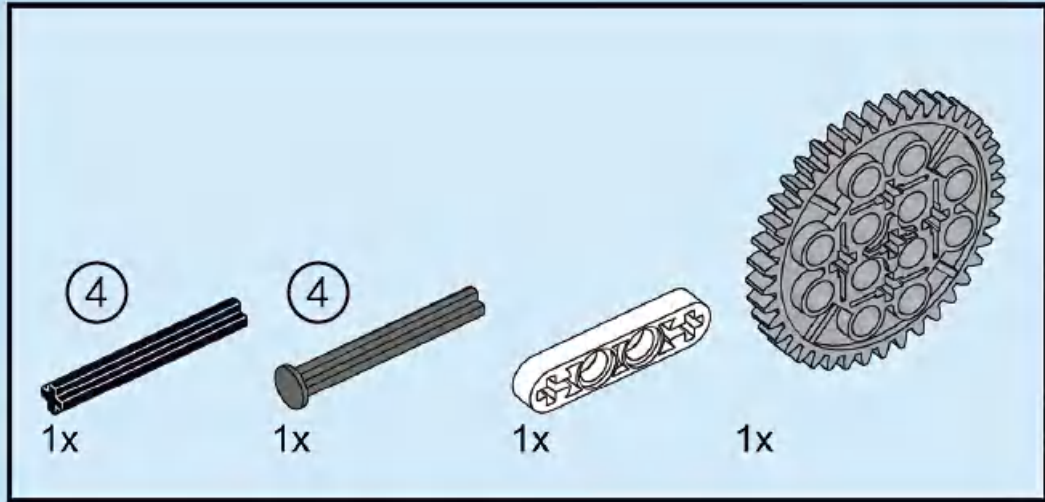
# 14

- 1x 
- ③ 1x 
- 1x 
- 2x 
- ⑫ 1x 



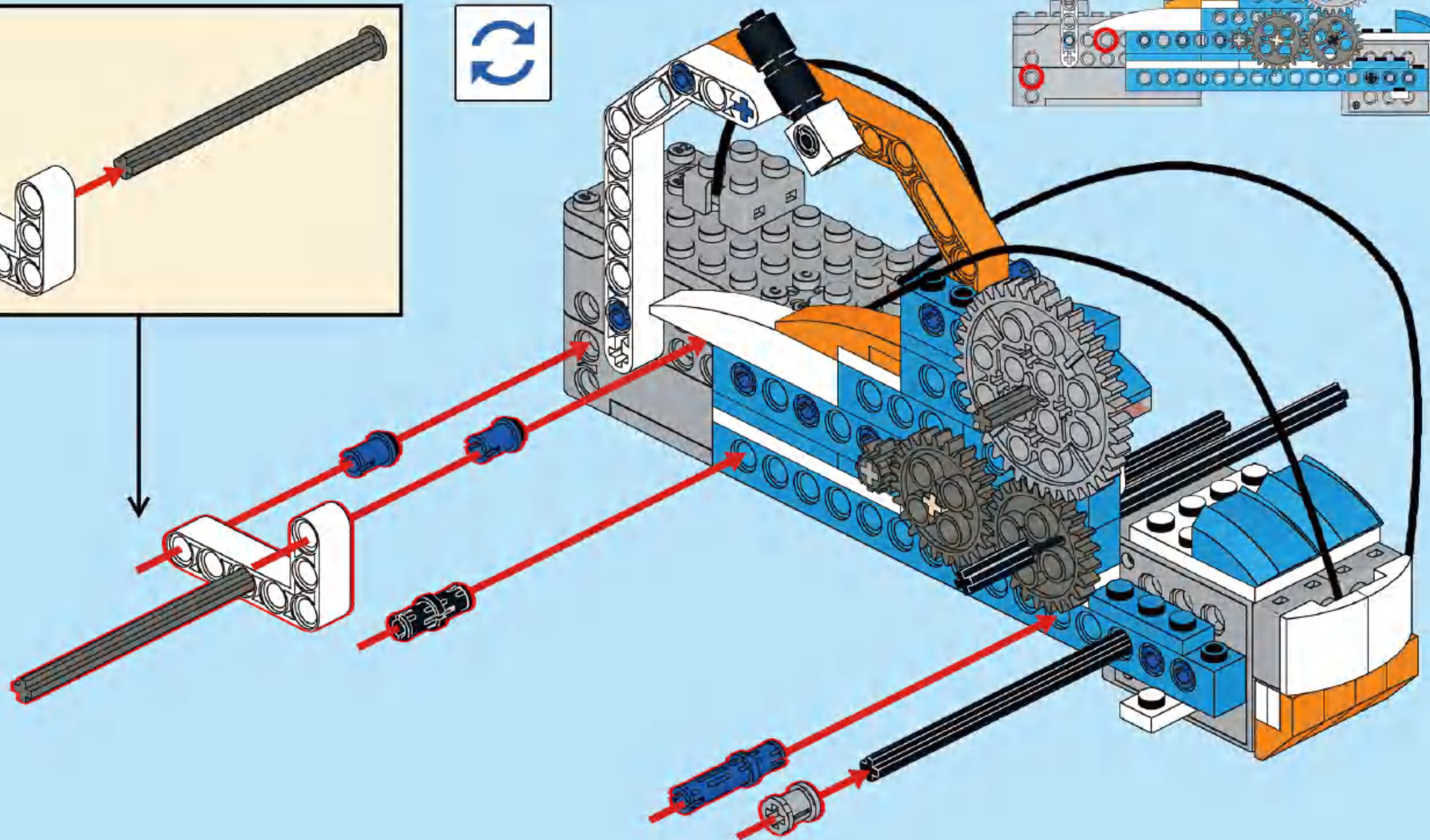
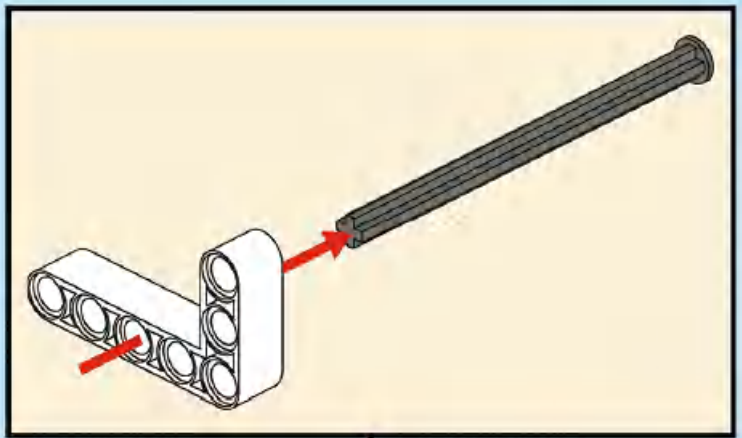
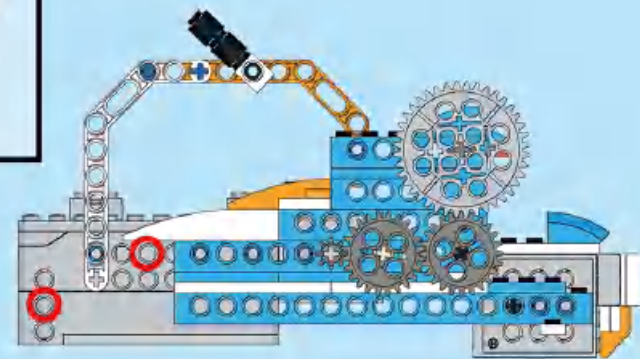
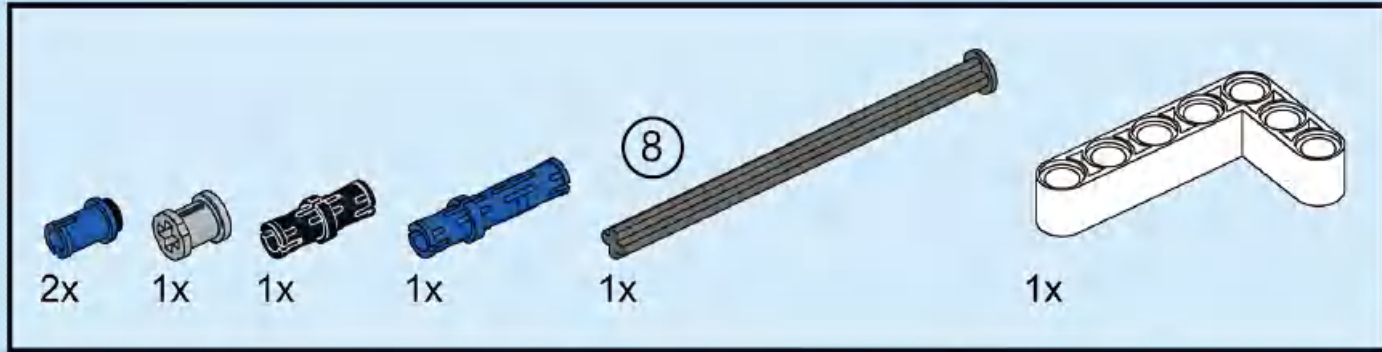


# 15



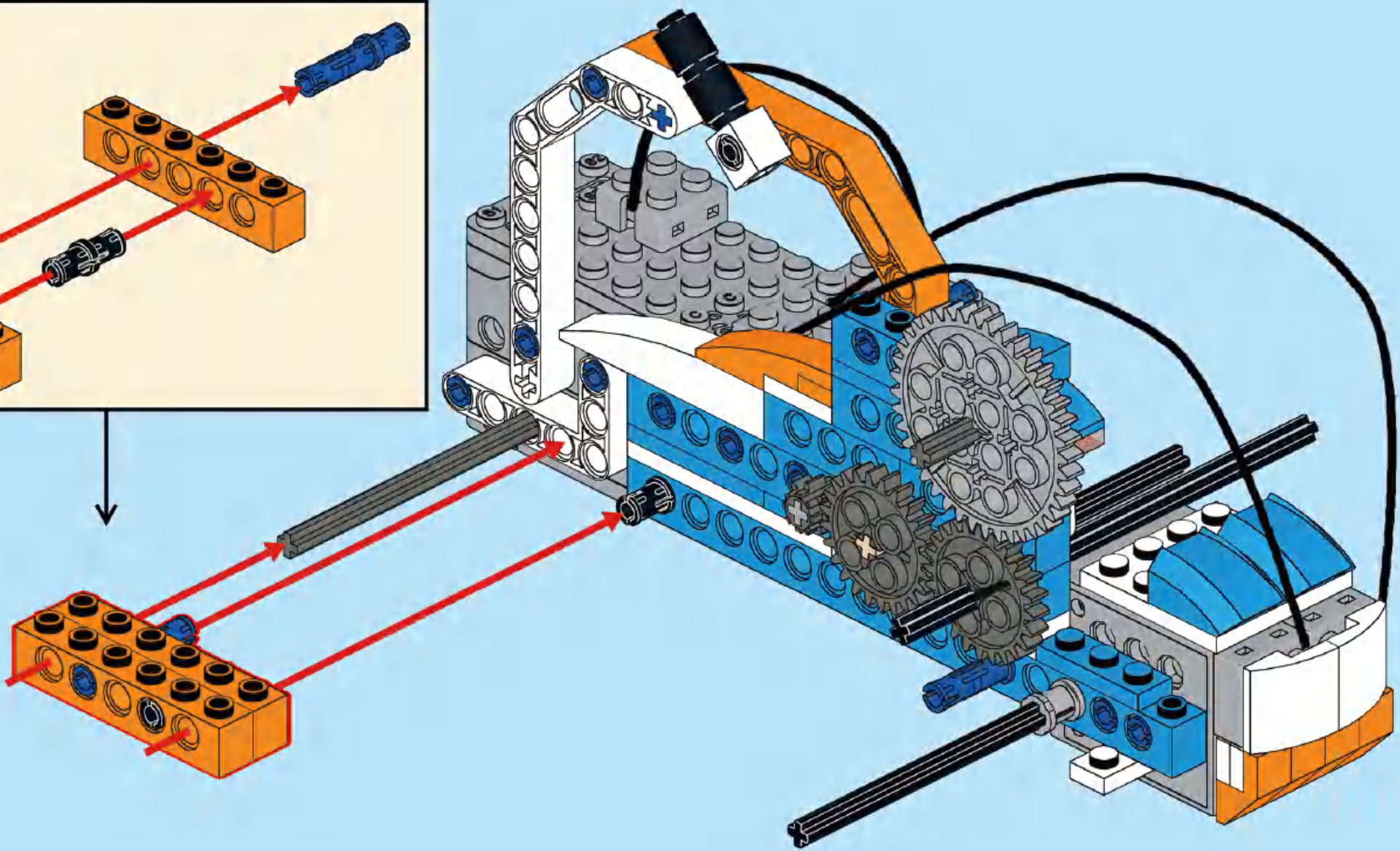
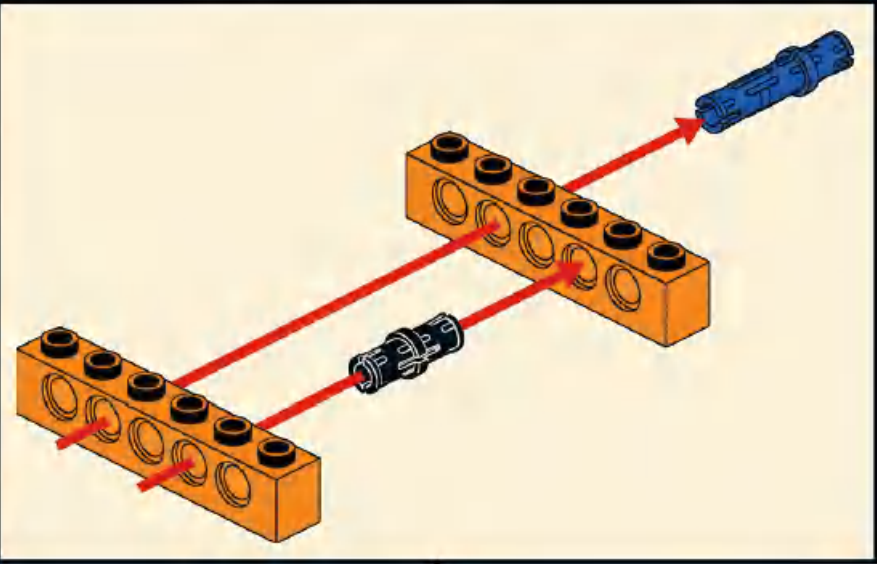
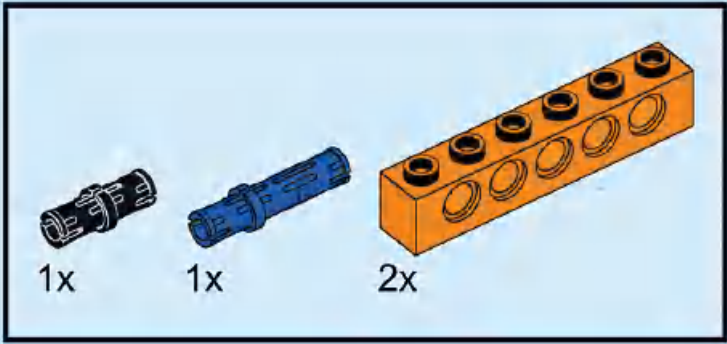


# 16





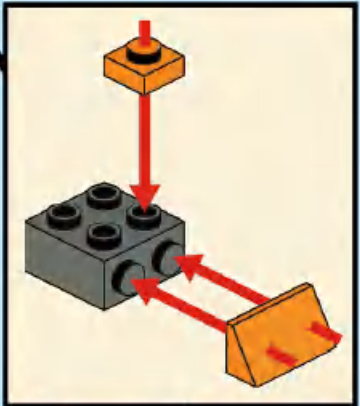
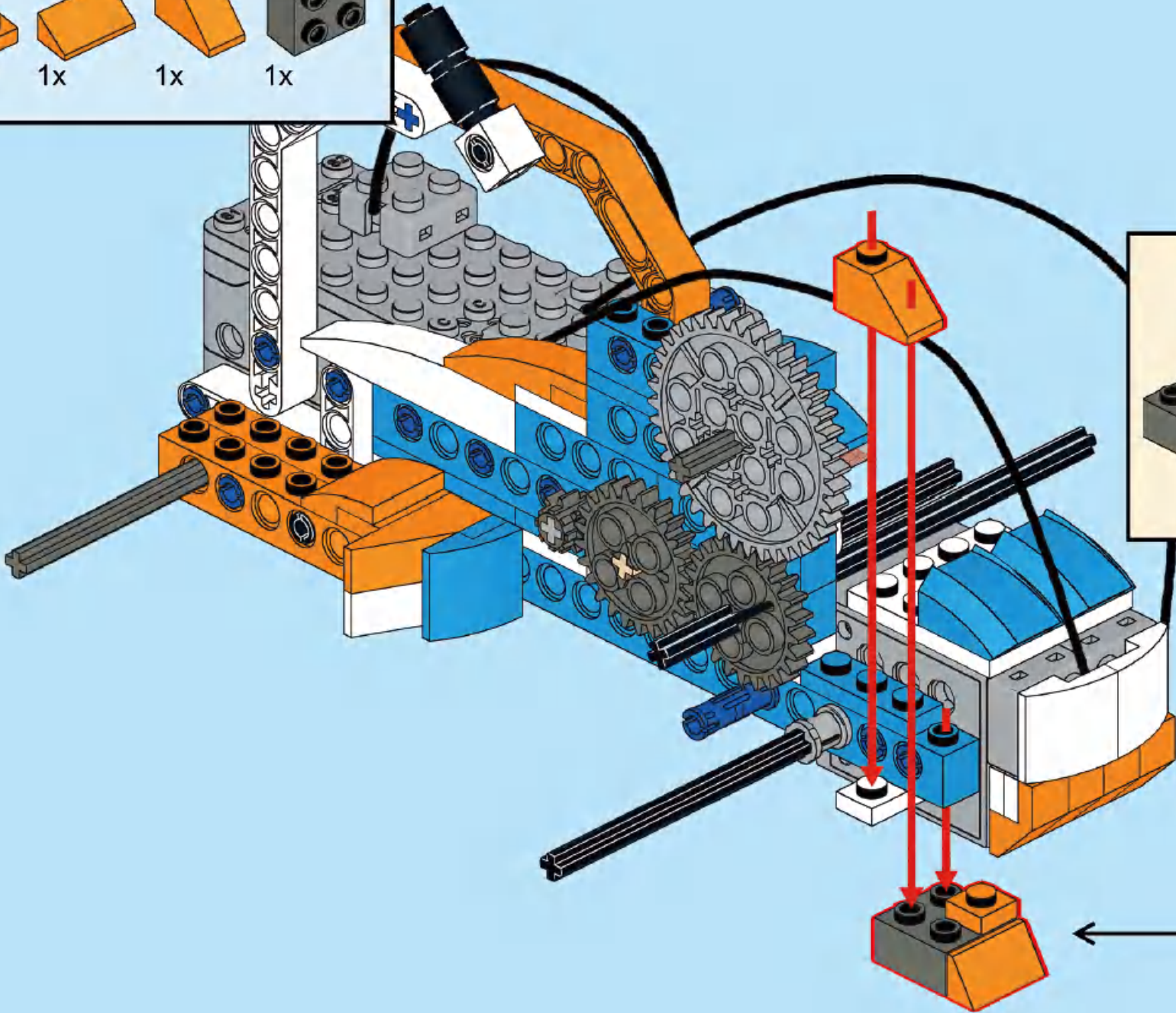
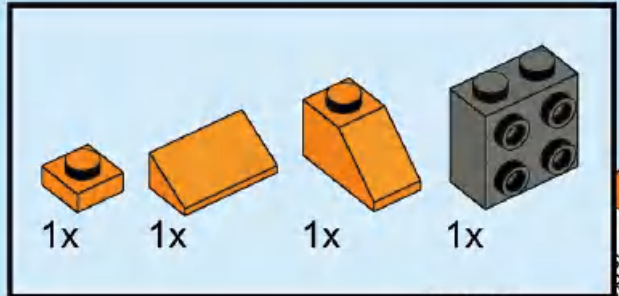
# 17



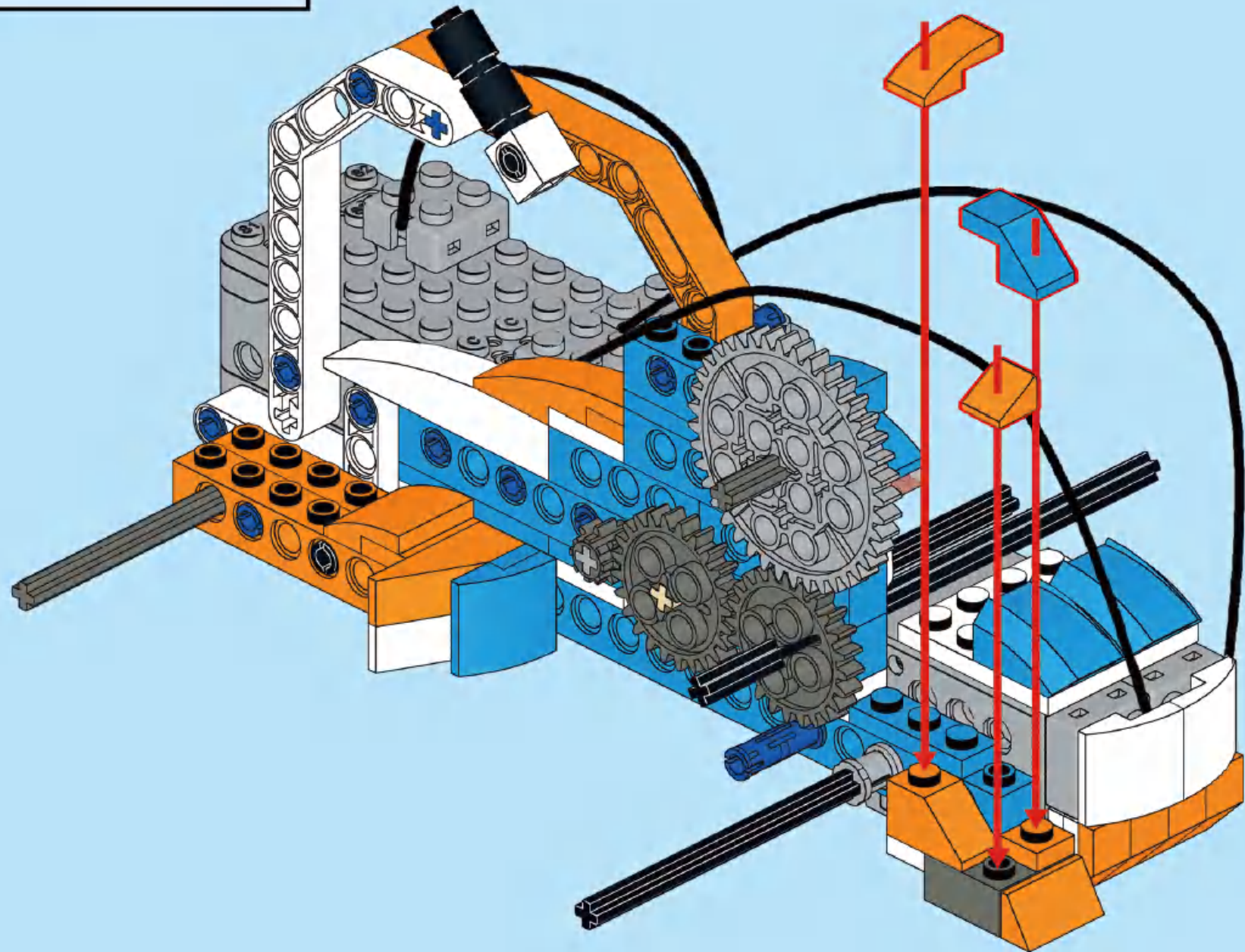
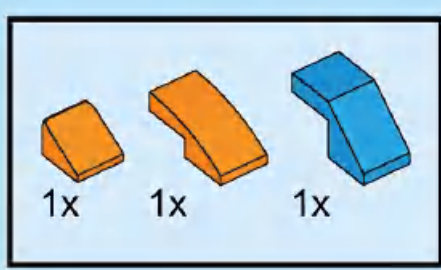




# 19

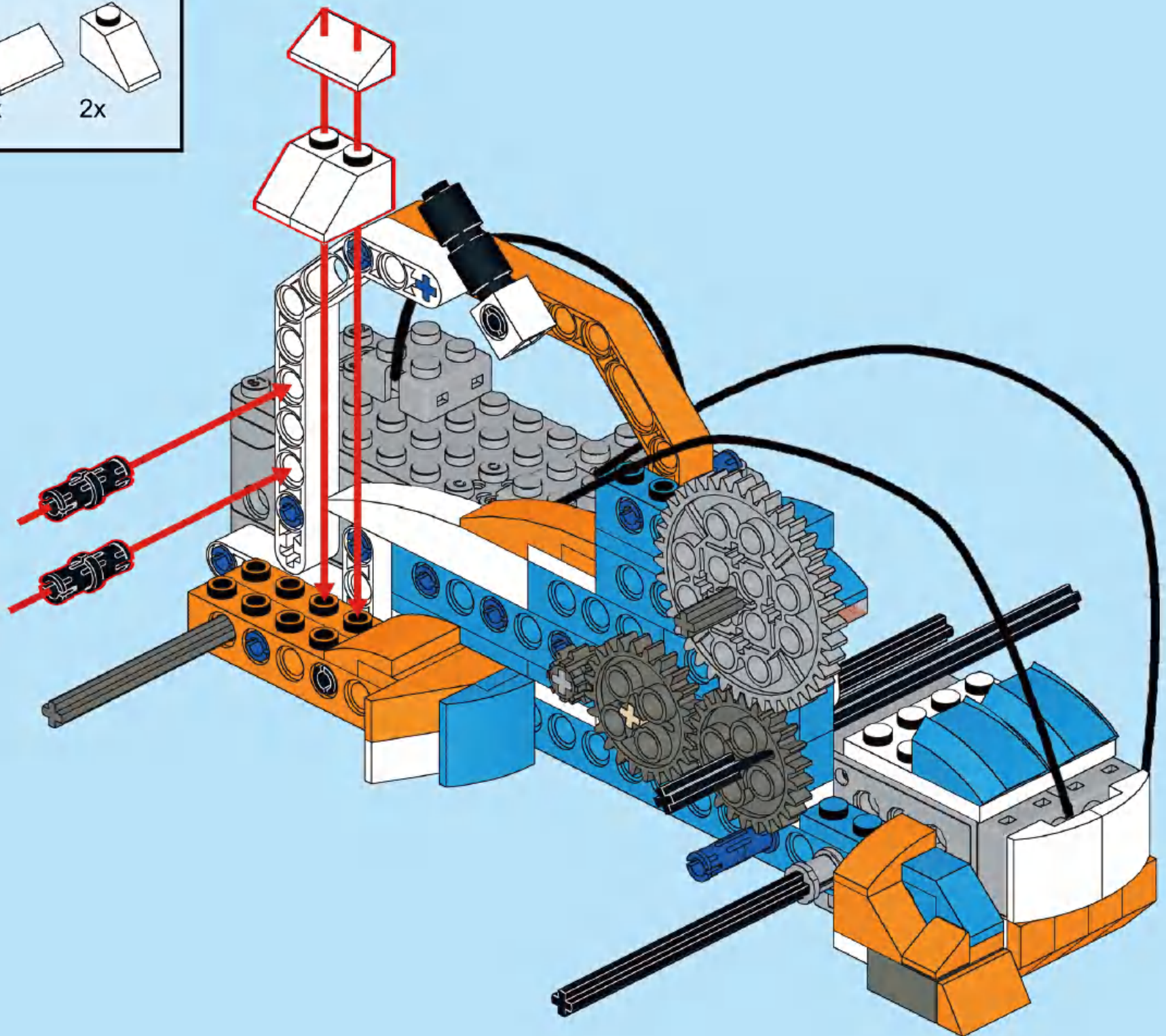
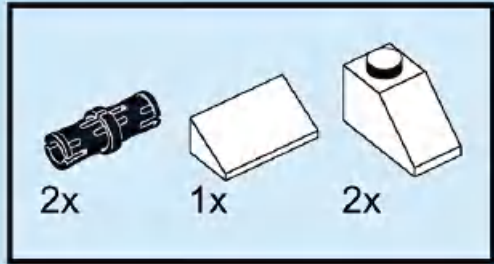


# 20

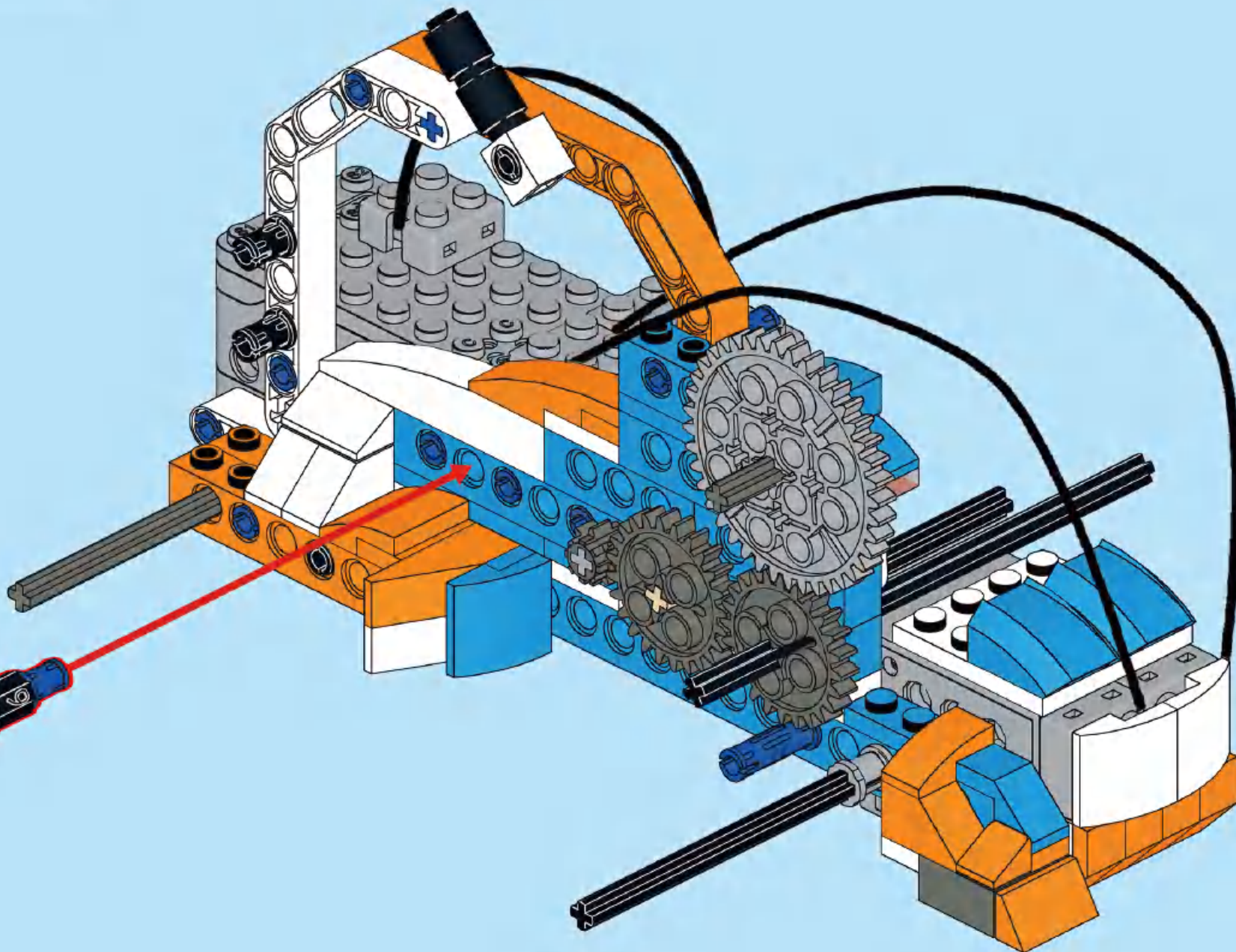
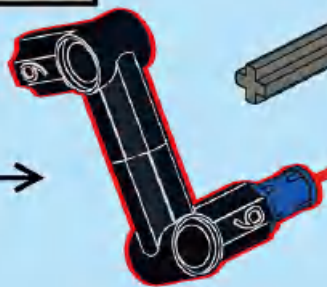
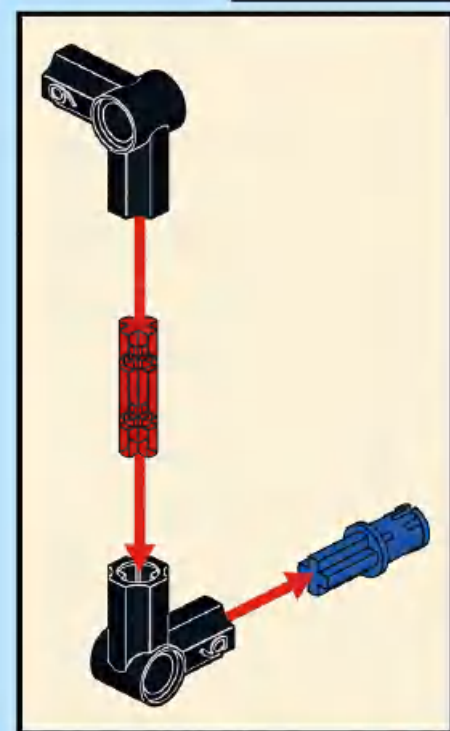
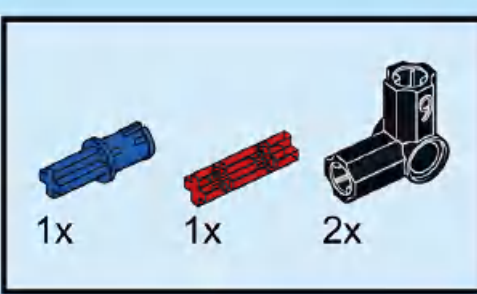




# 21

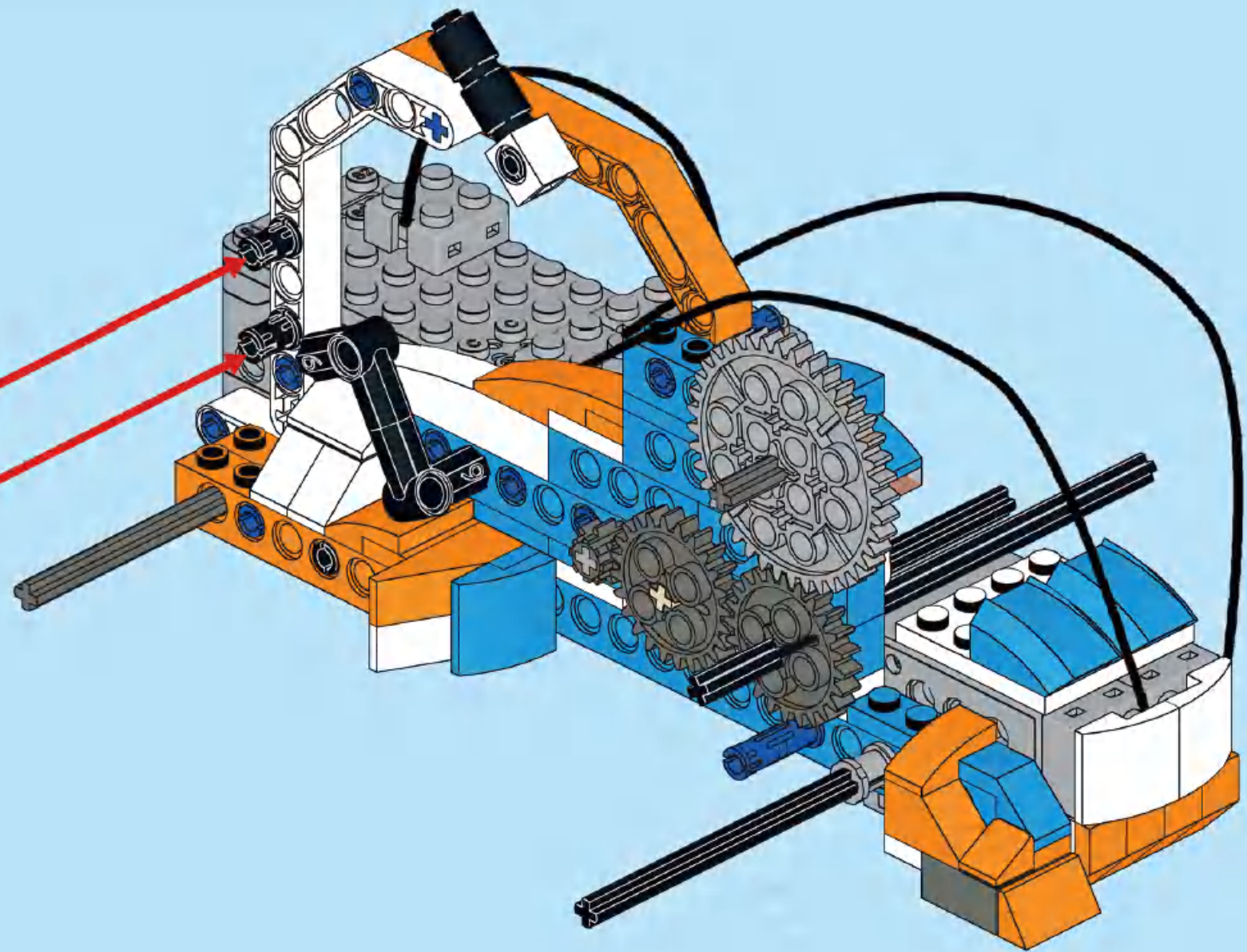
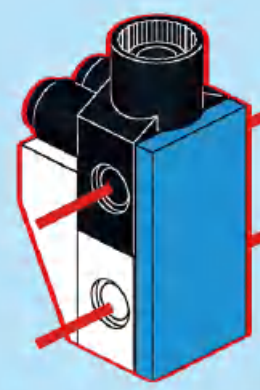
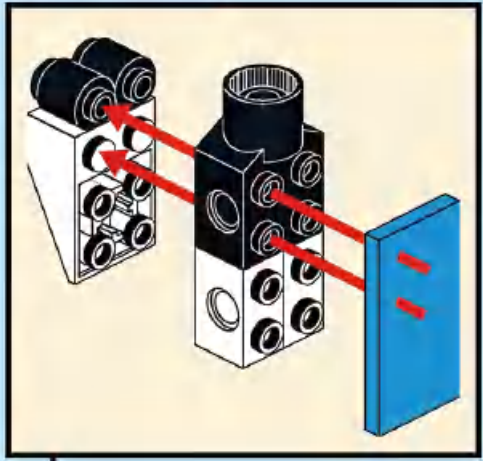
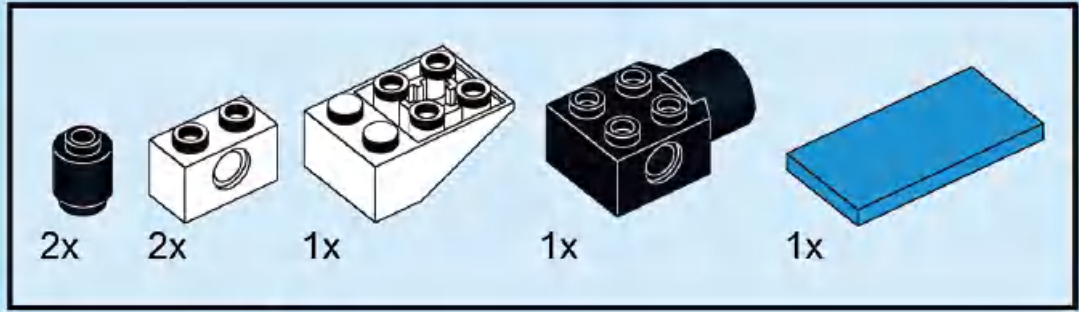


# 22



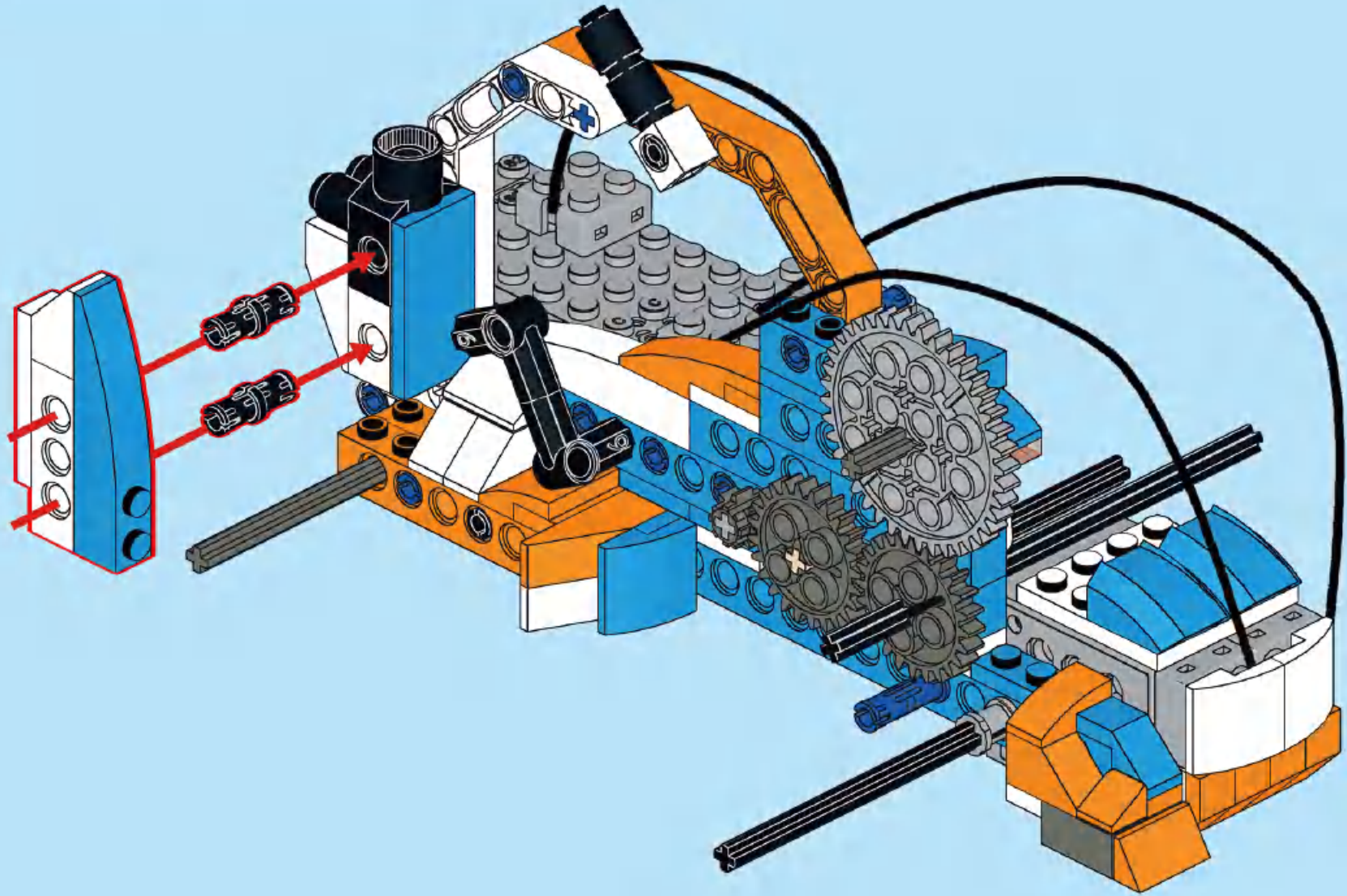
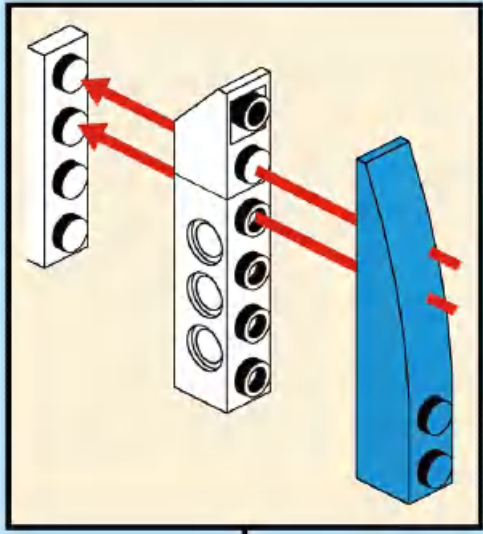
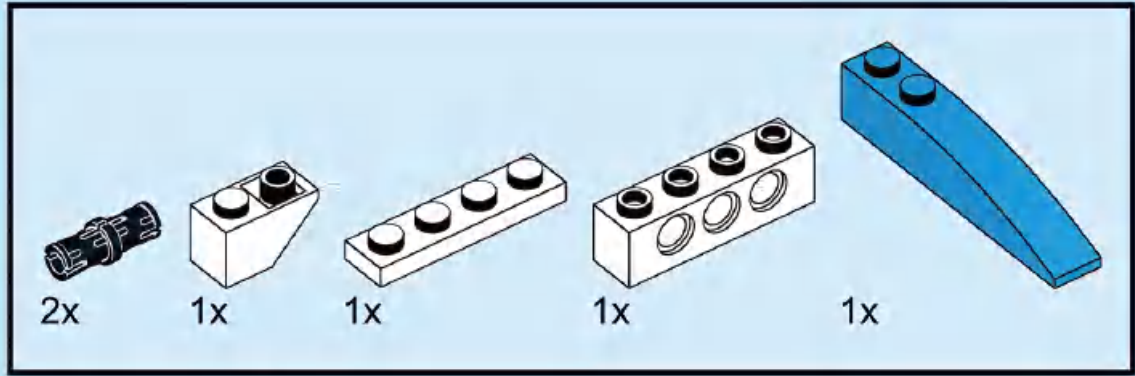


# 23



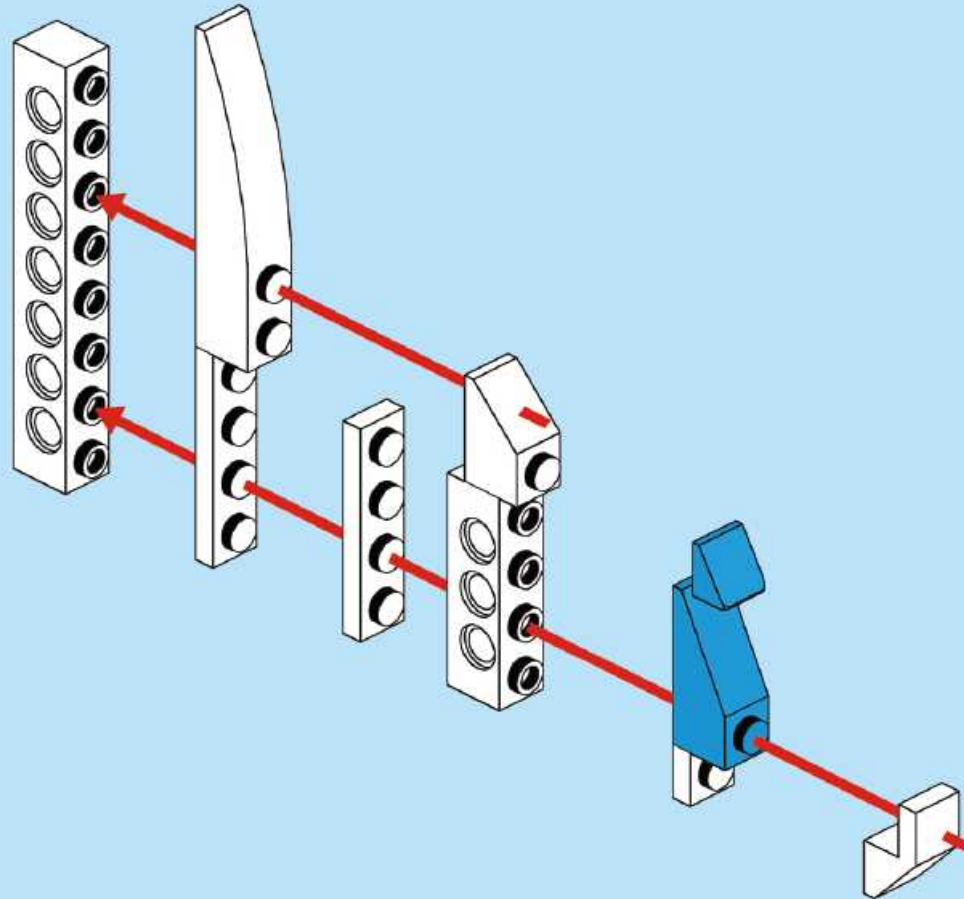
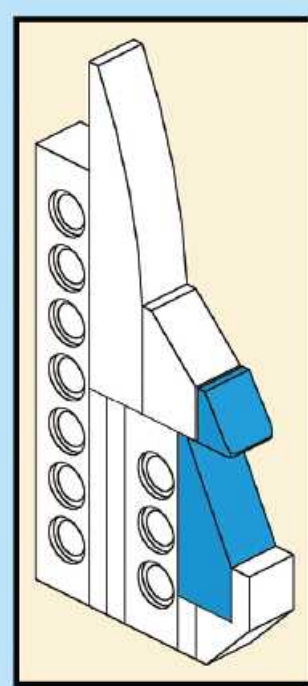
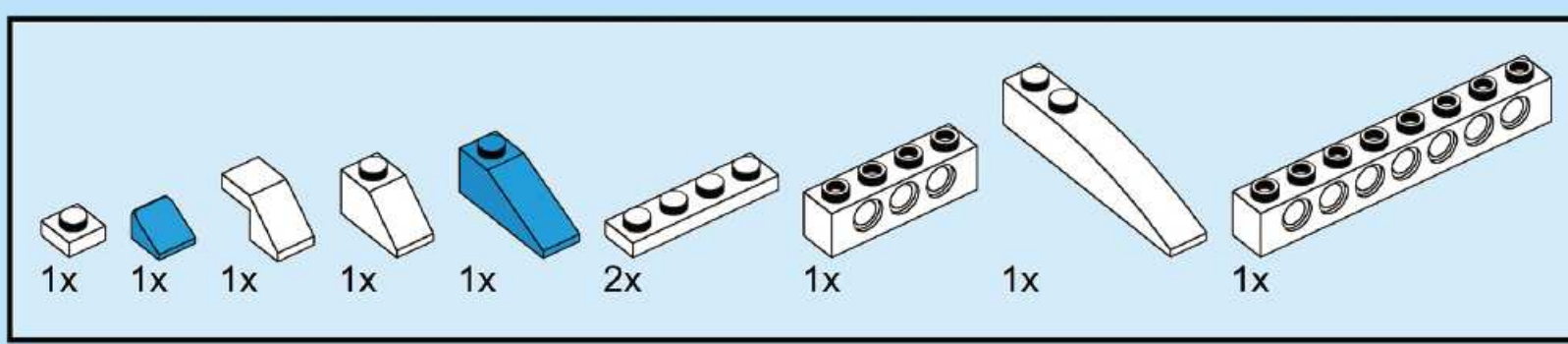


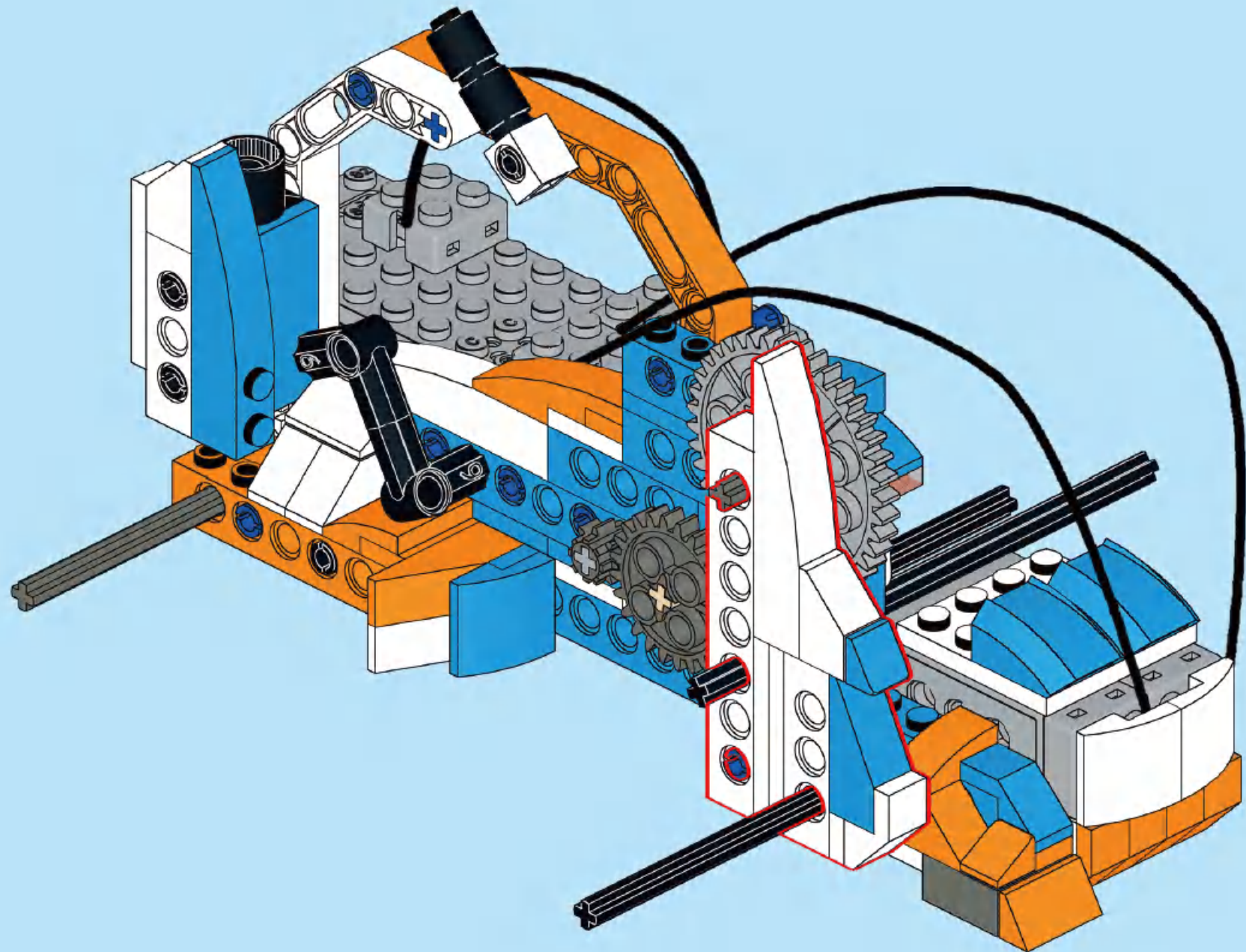
# 24





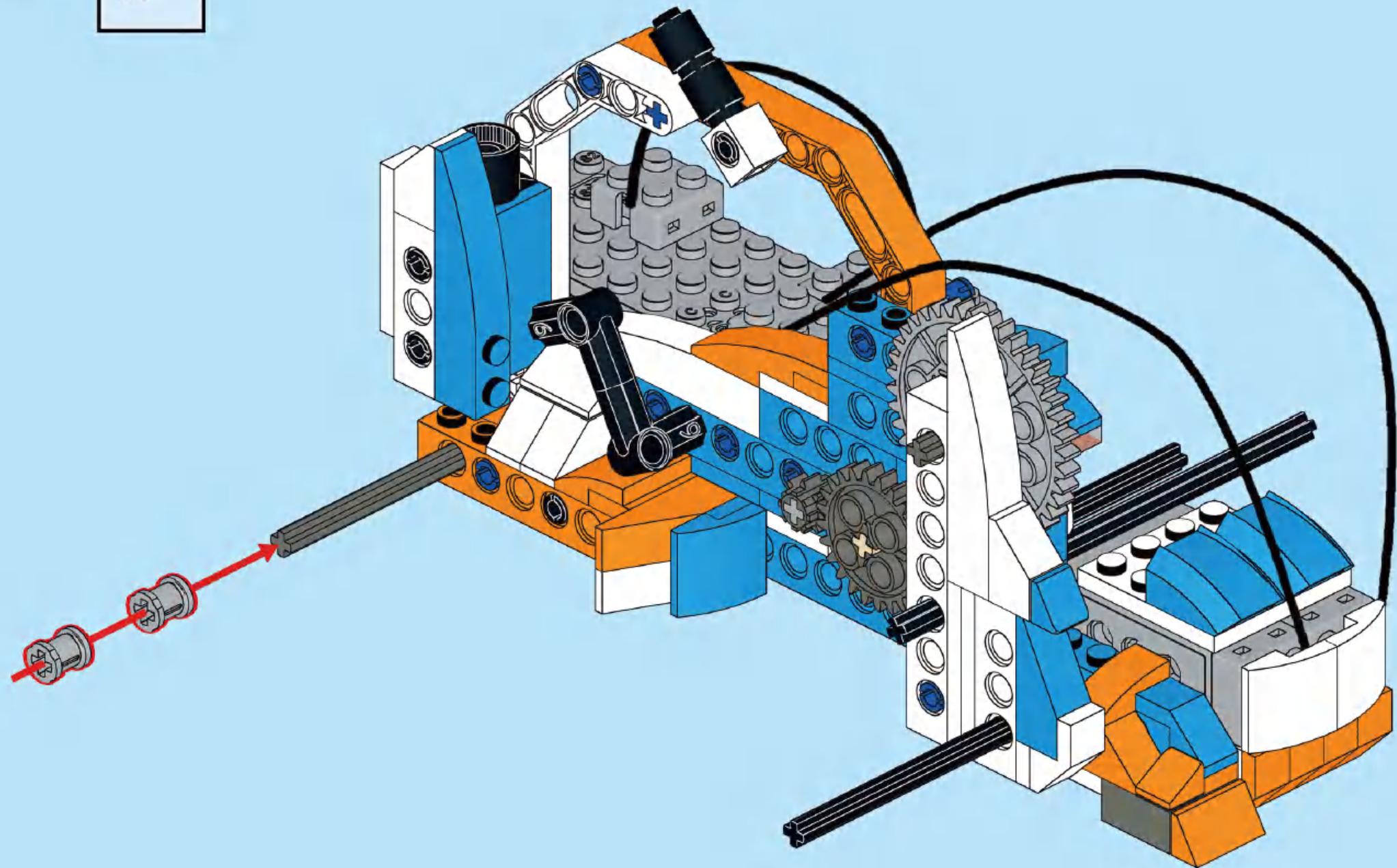
# 25



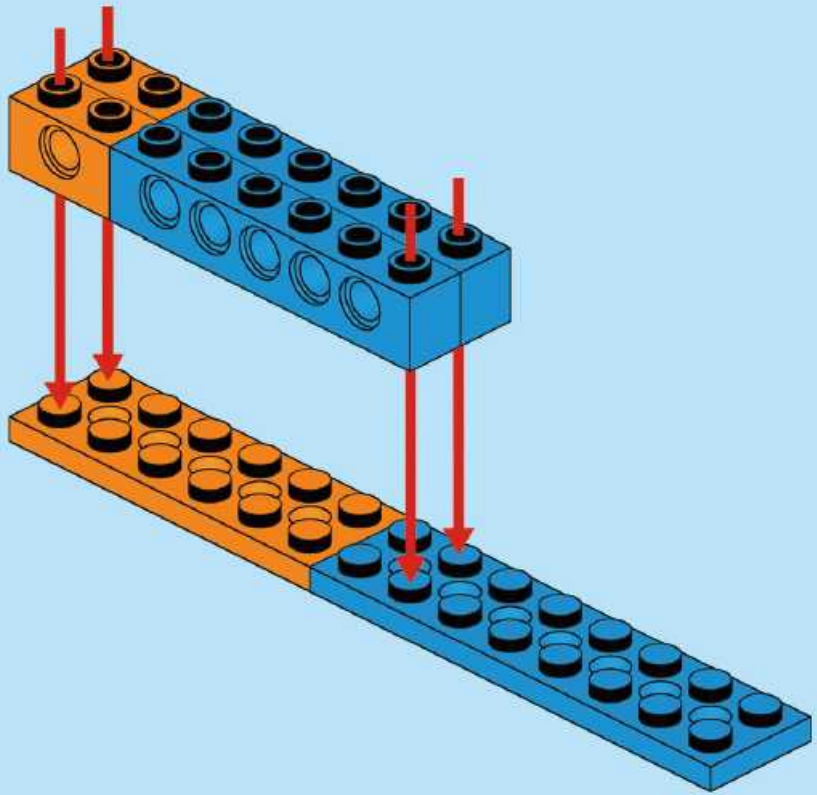
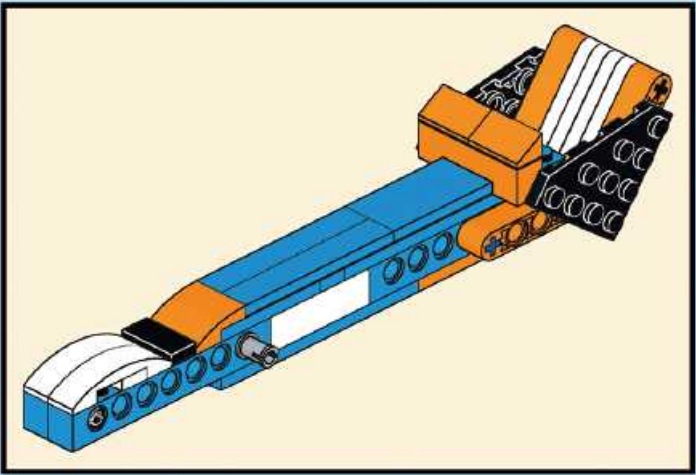
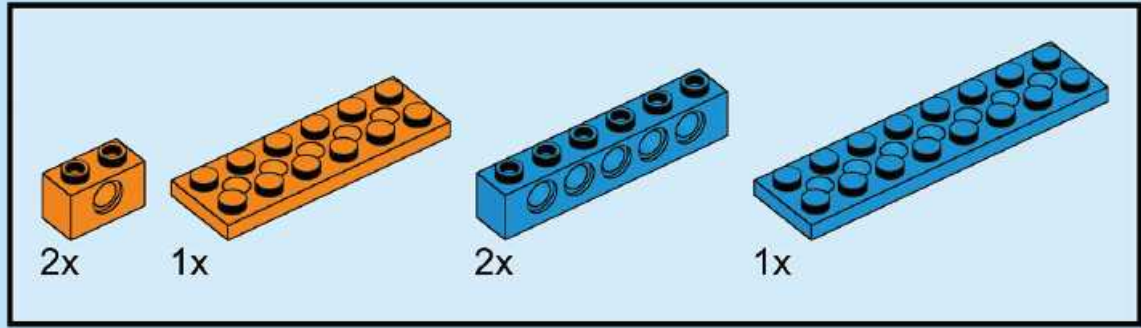




# 27

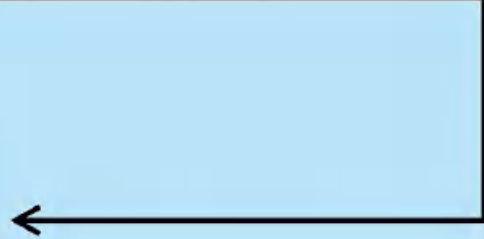
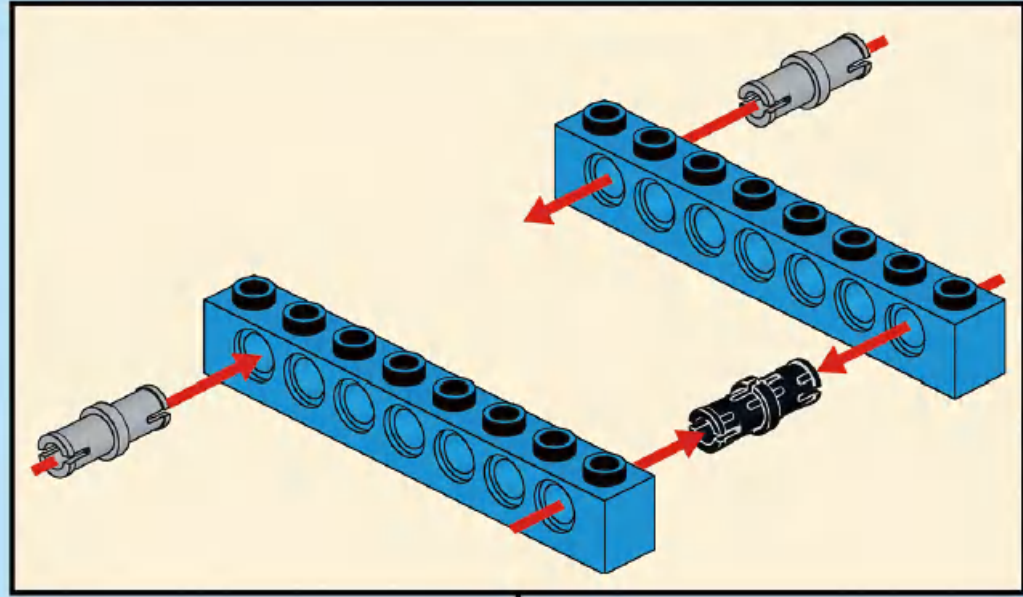
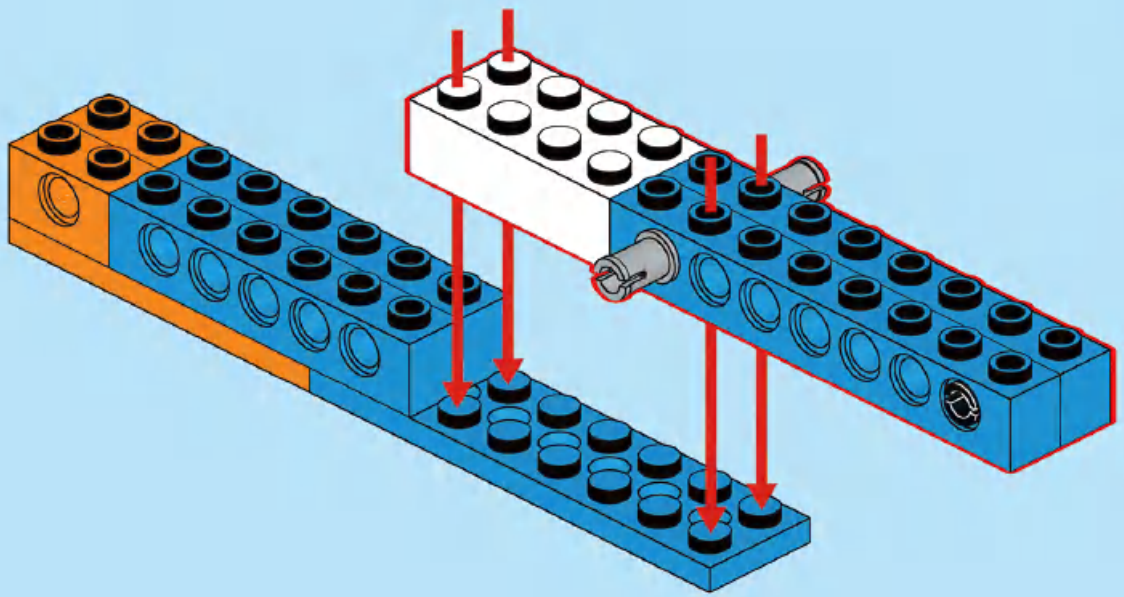
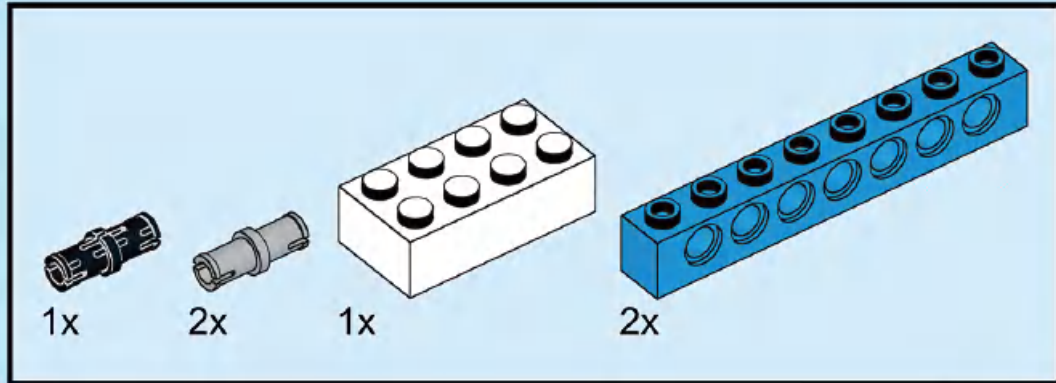


# 28

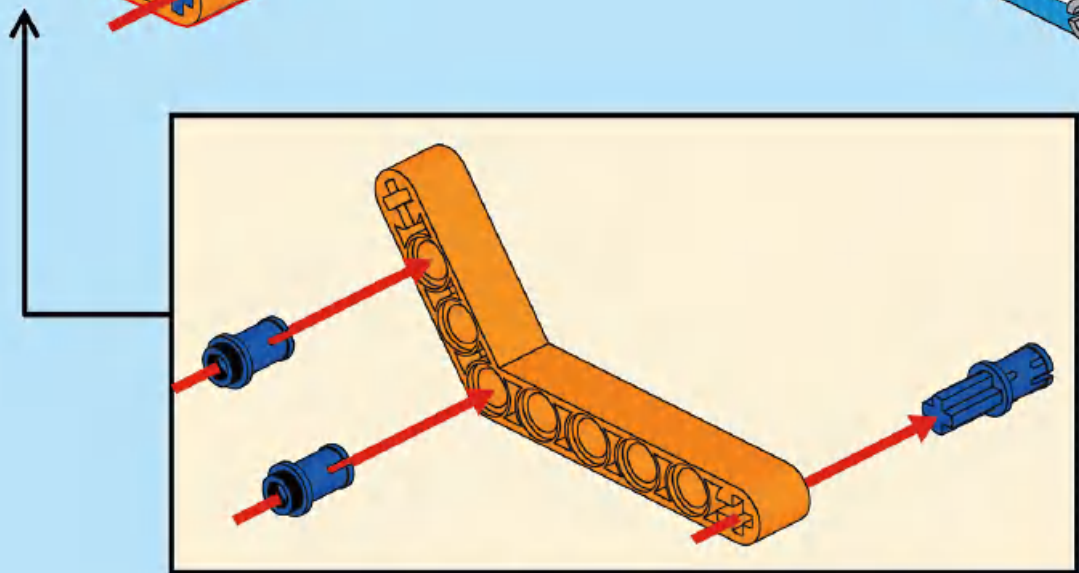
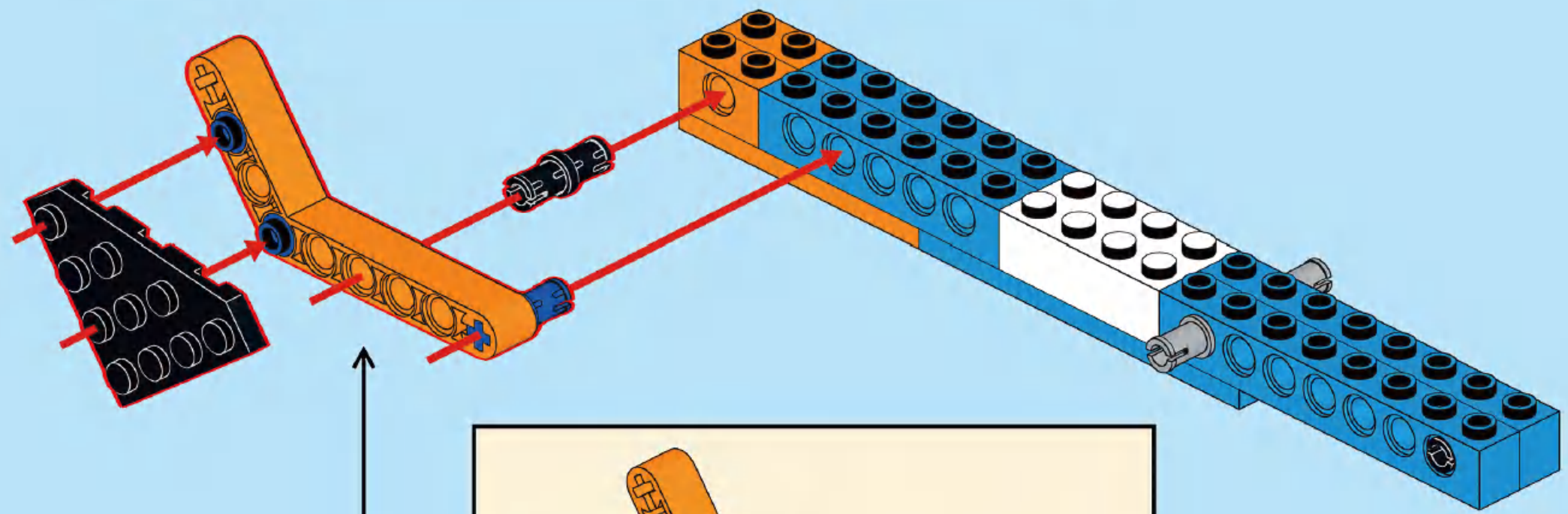
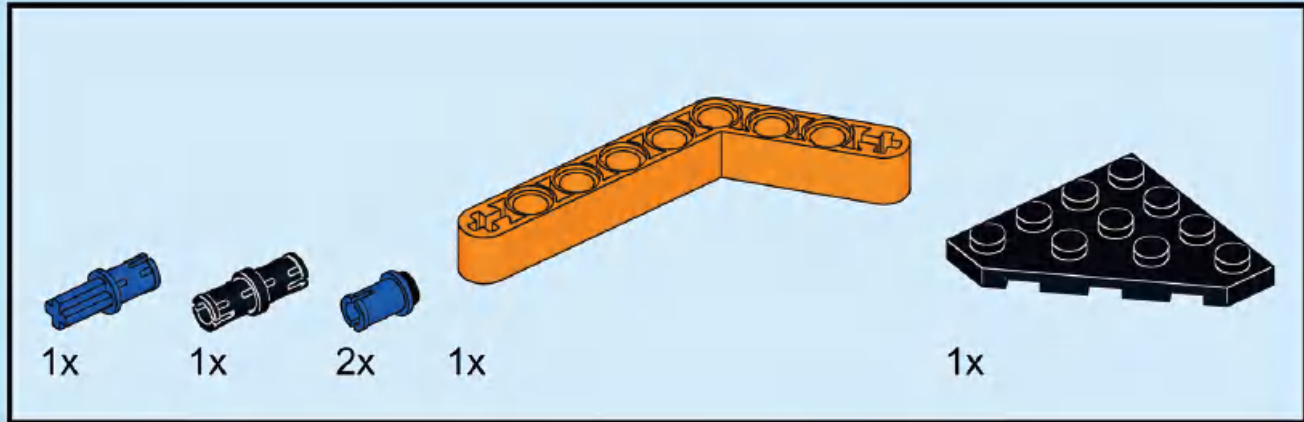




# 29



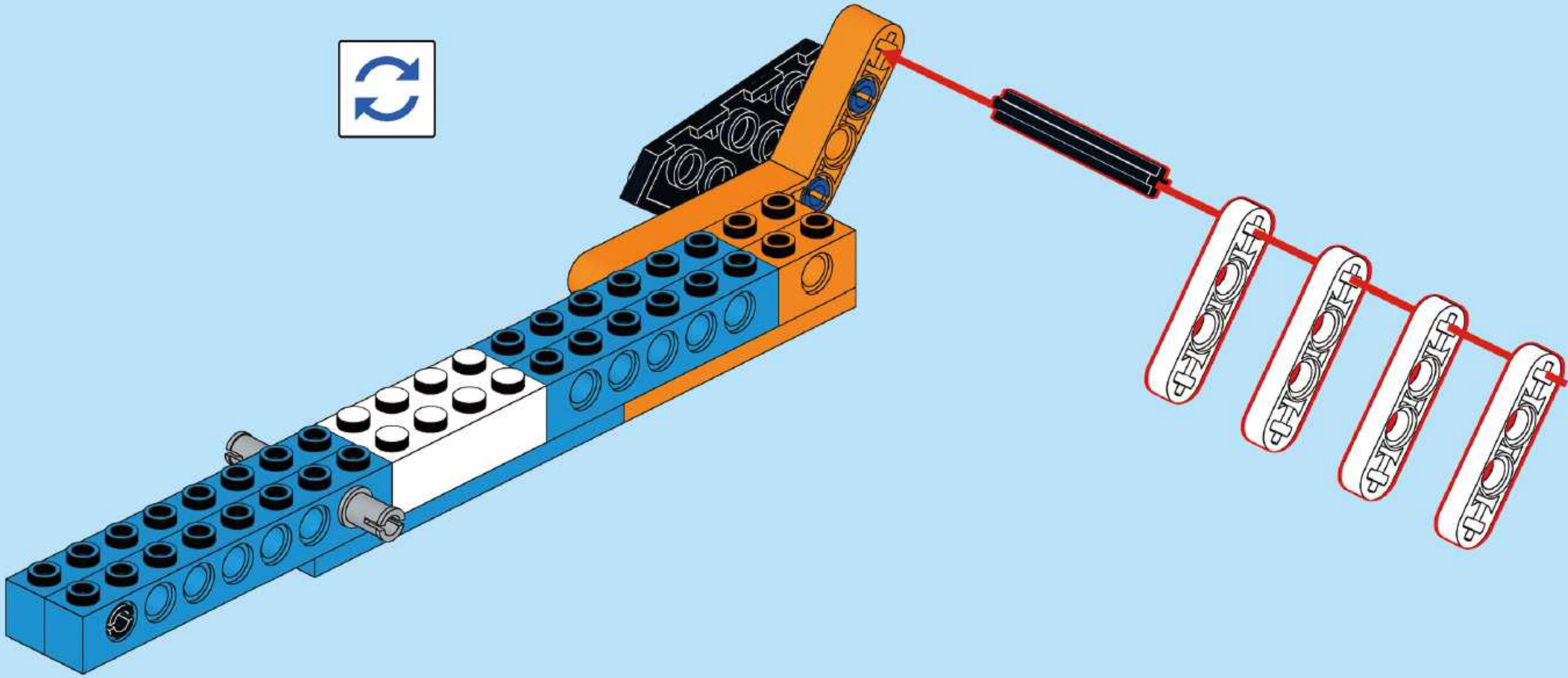
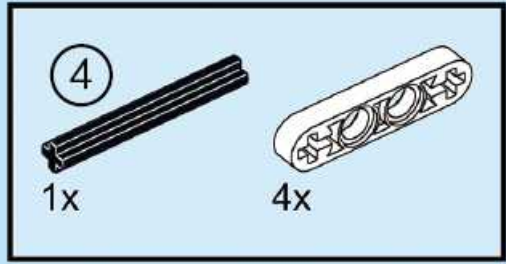
# 30



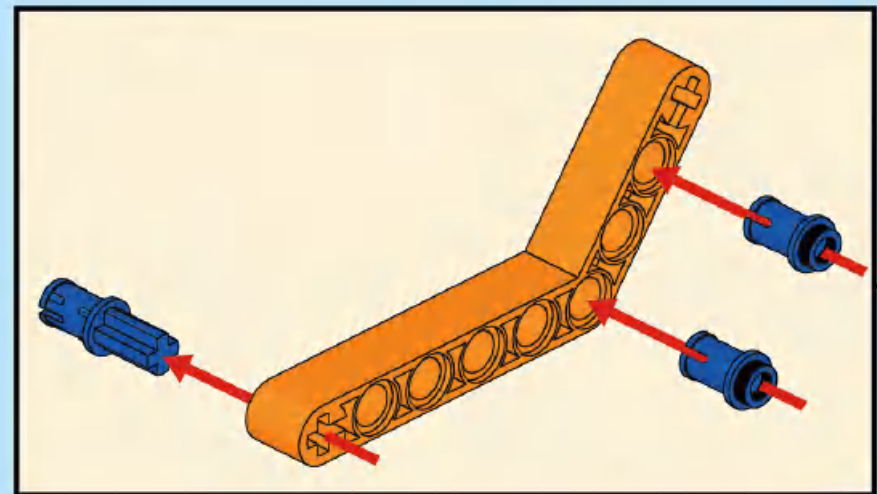
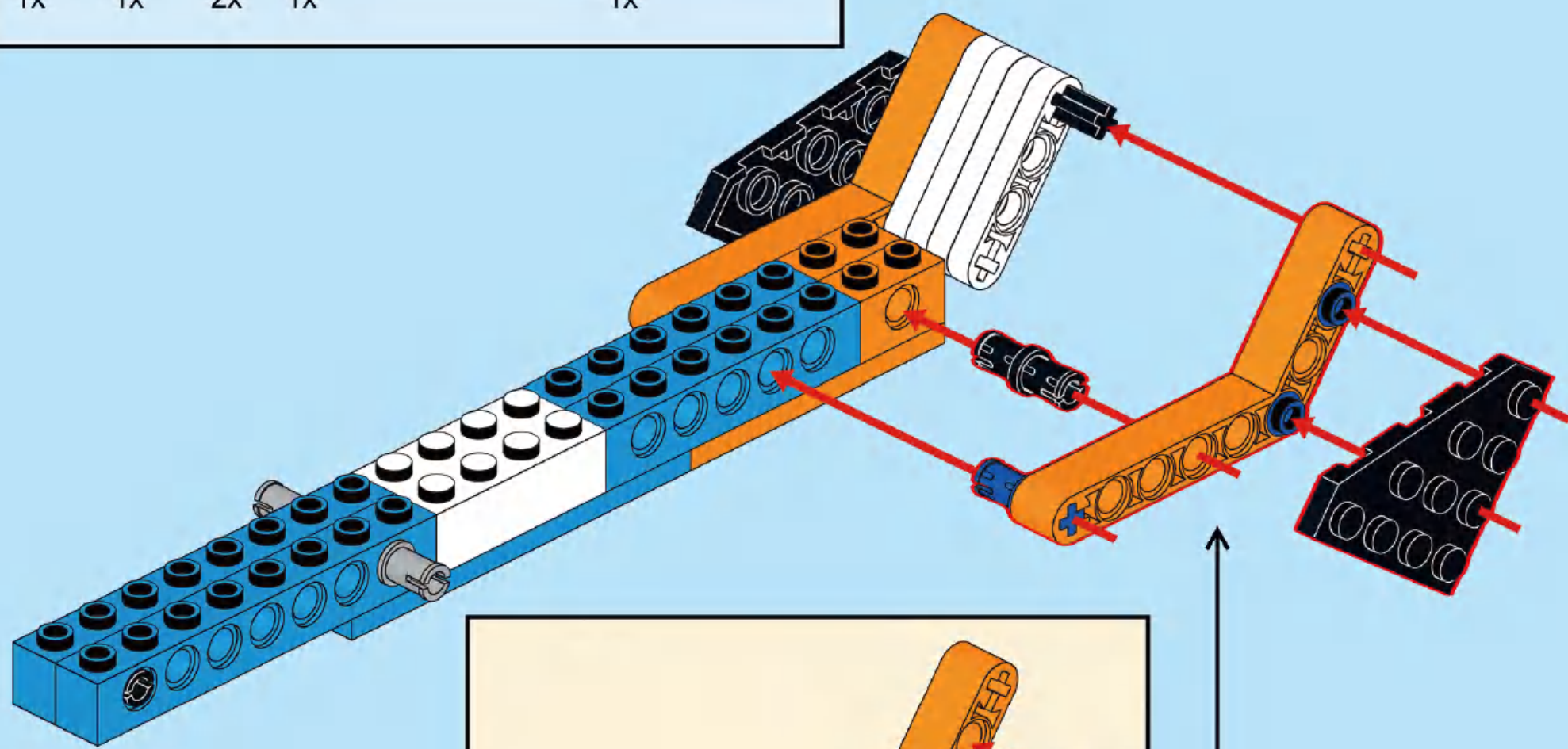
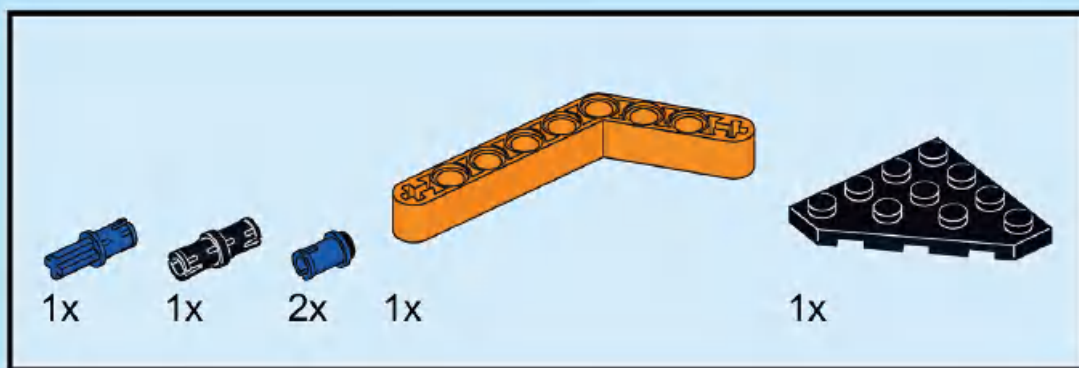


# 31

④  
1x      4x



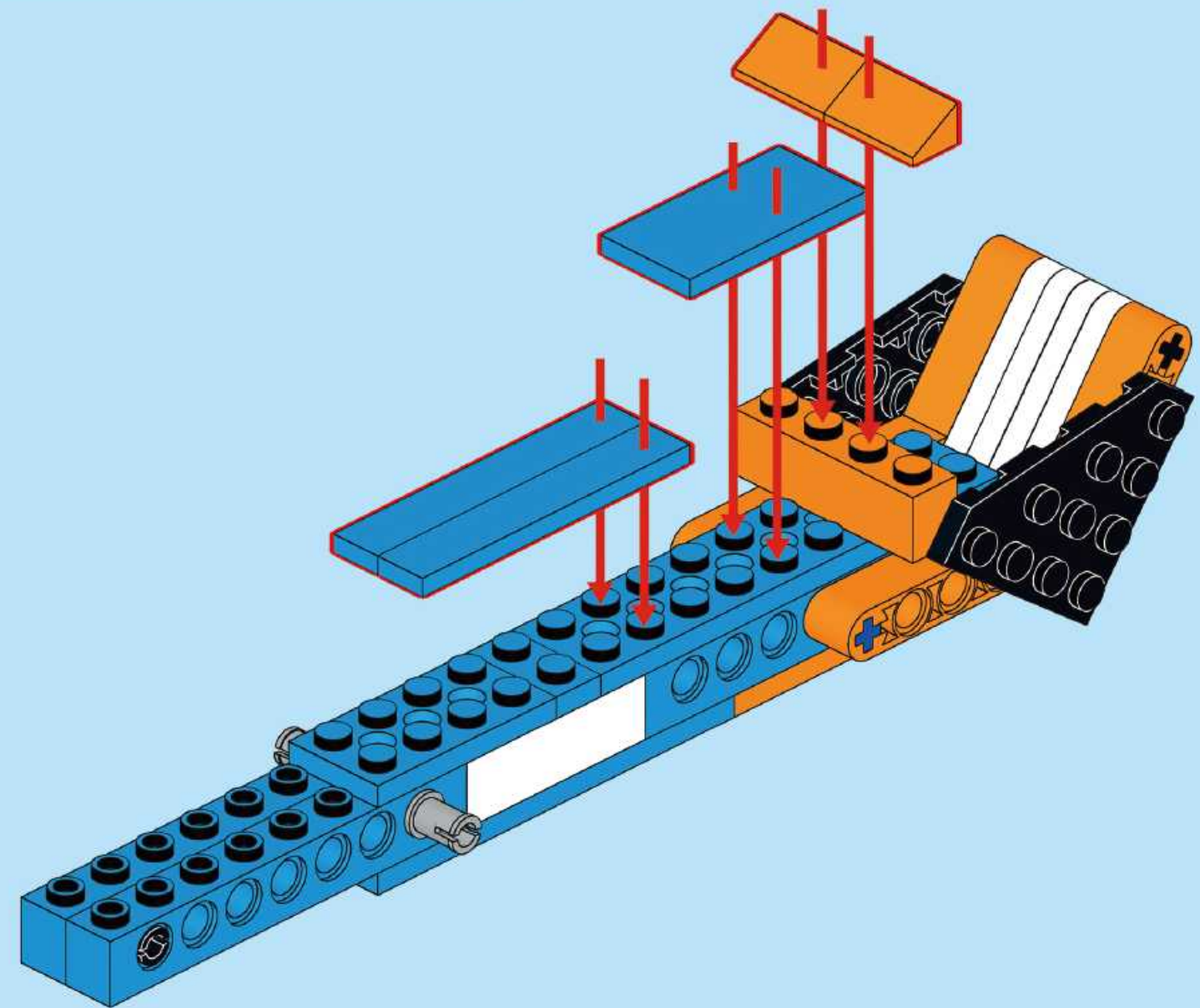
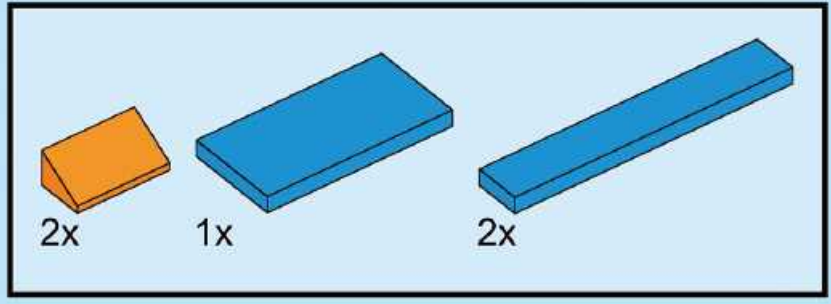
# 32





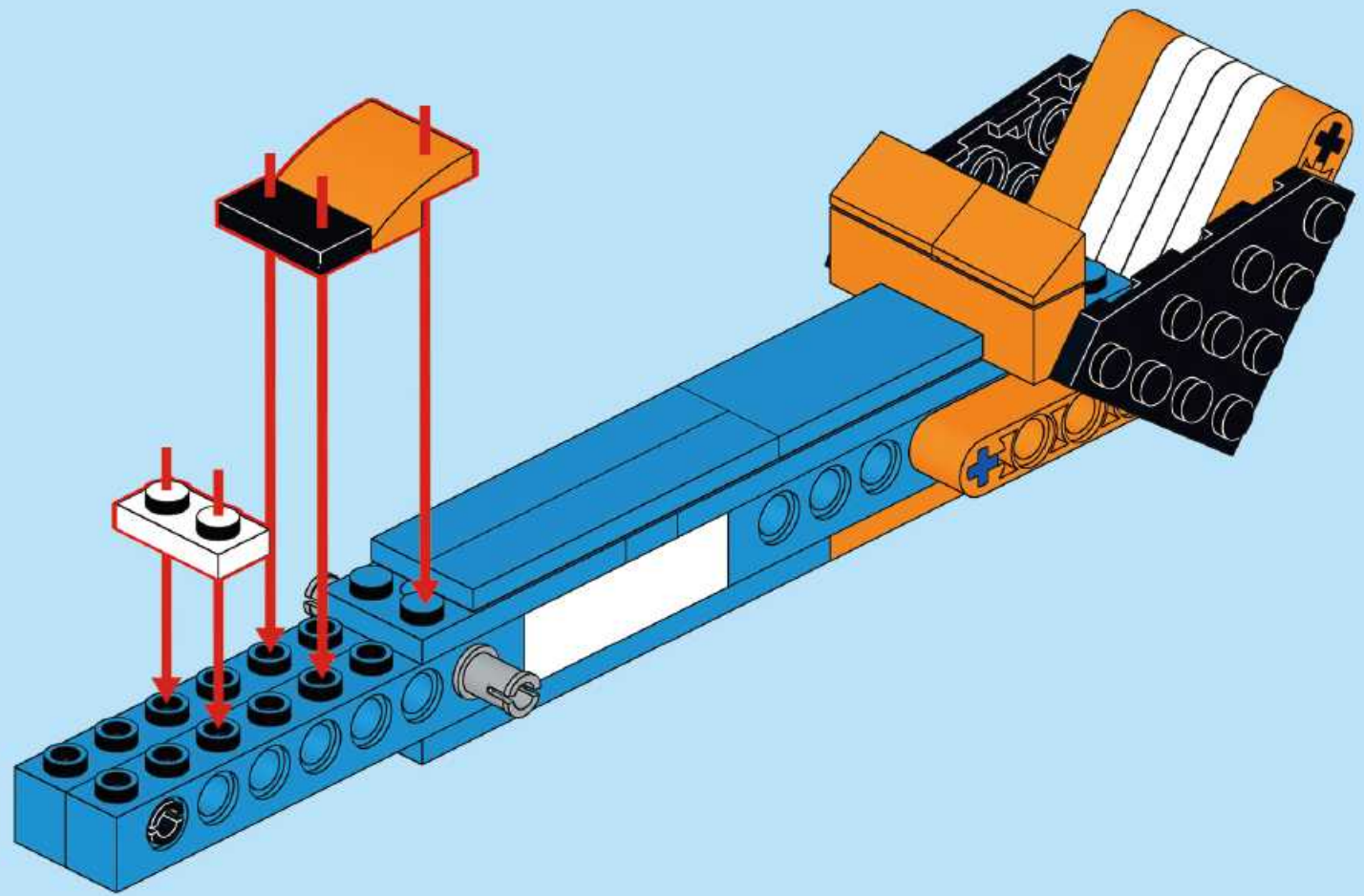
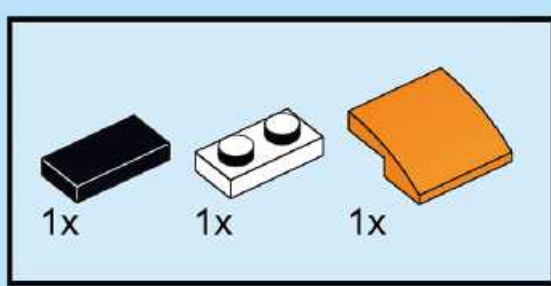


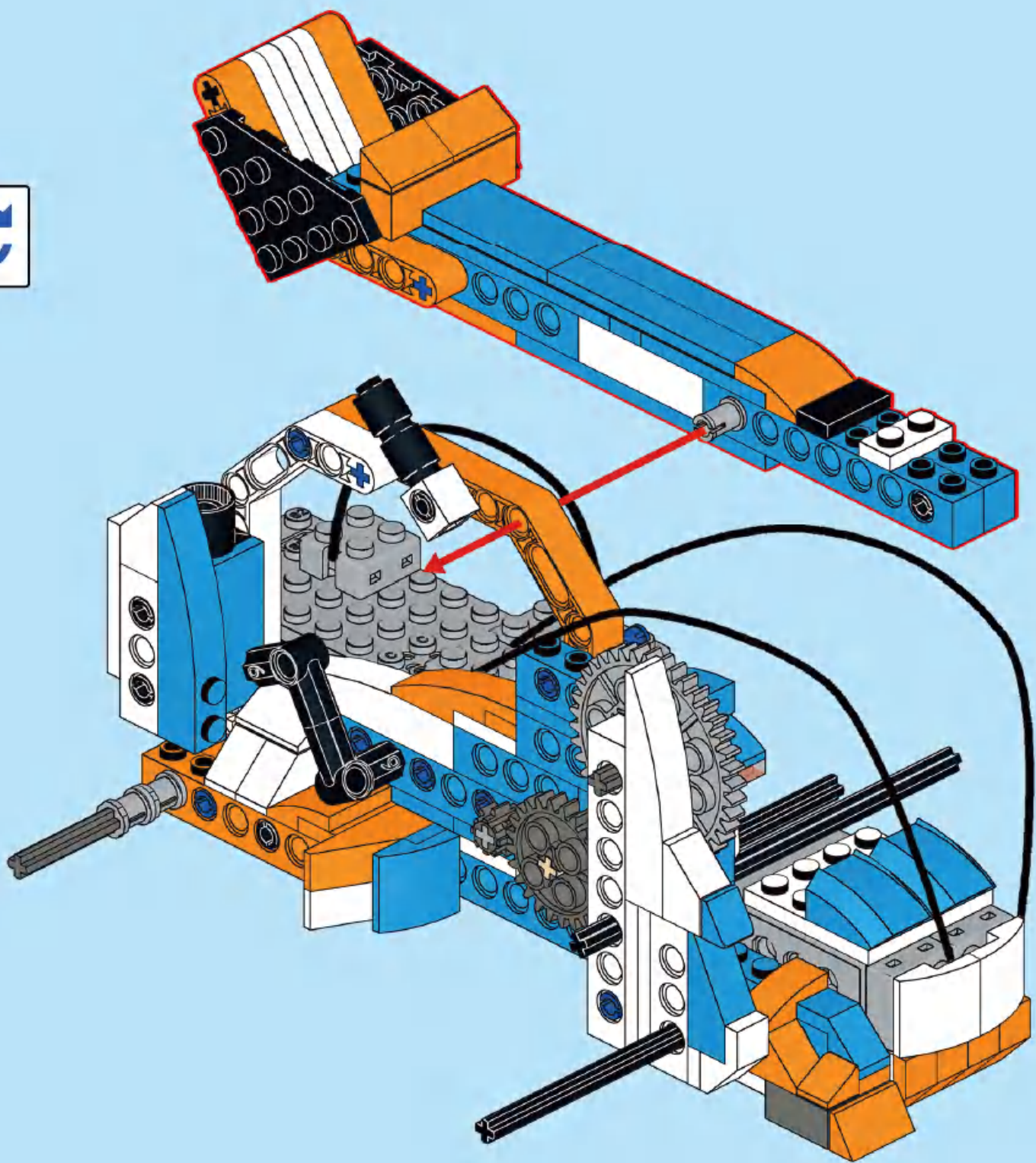
# 34





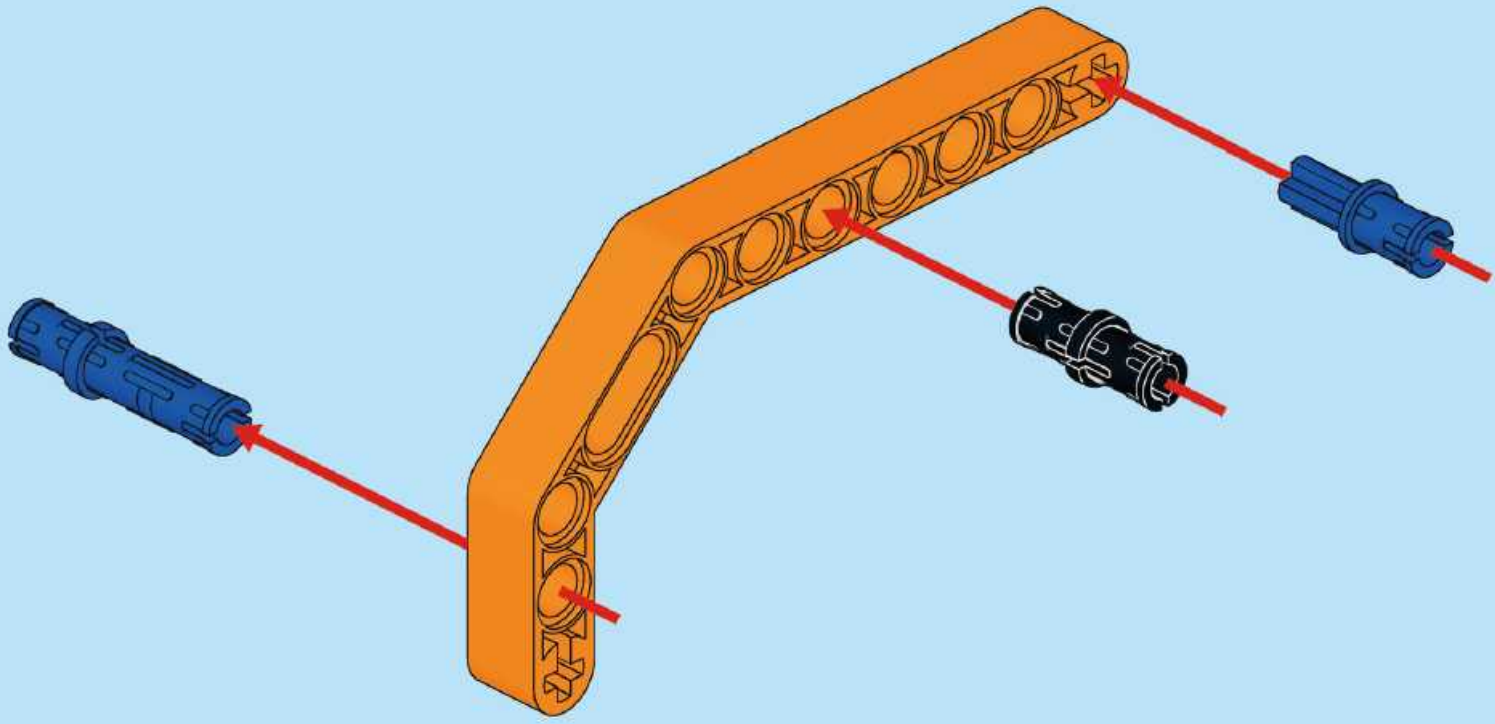
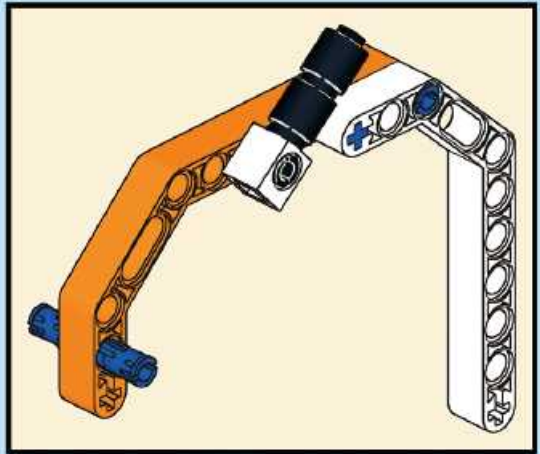
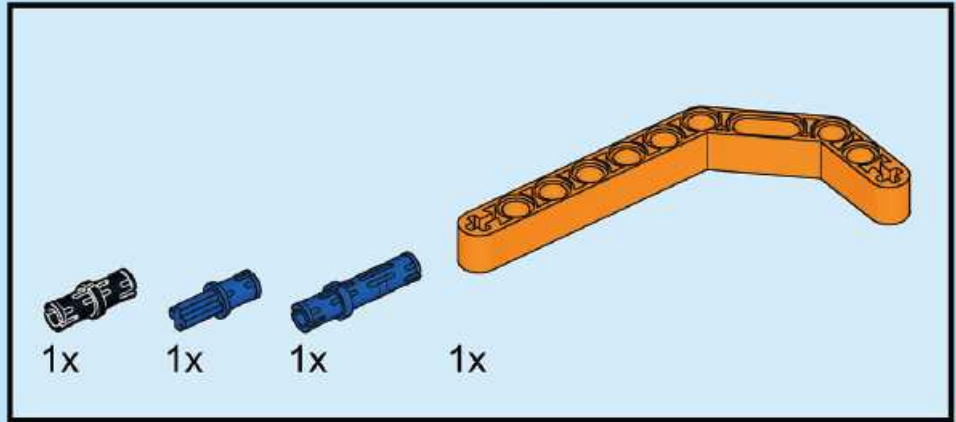
# 35



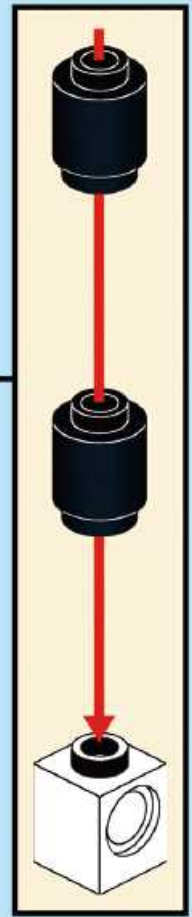
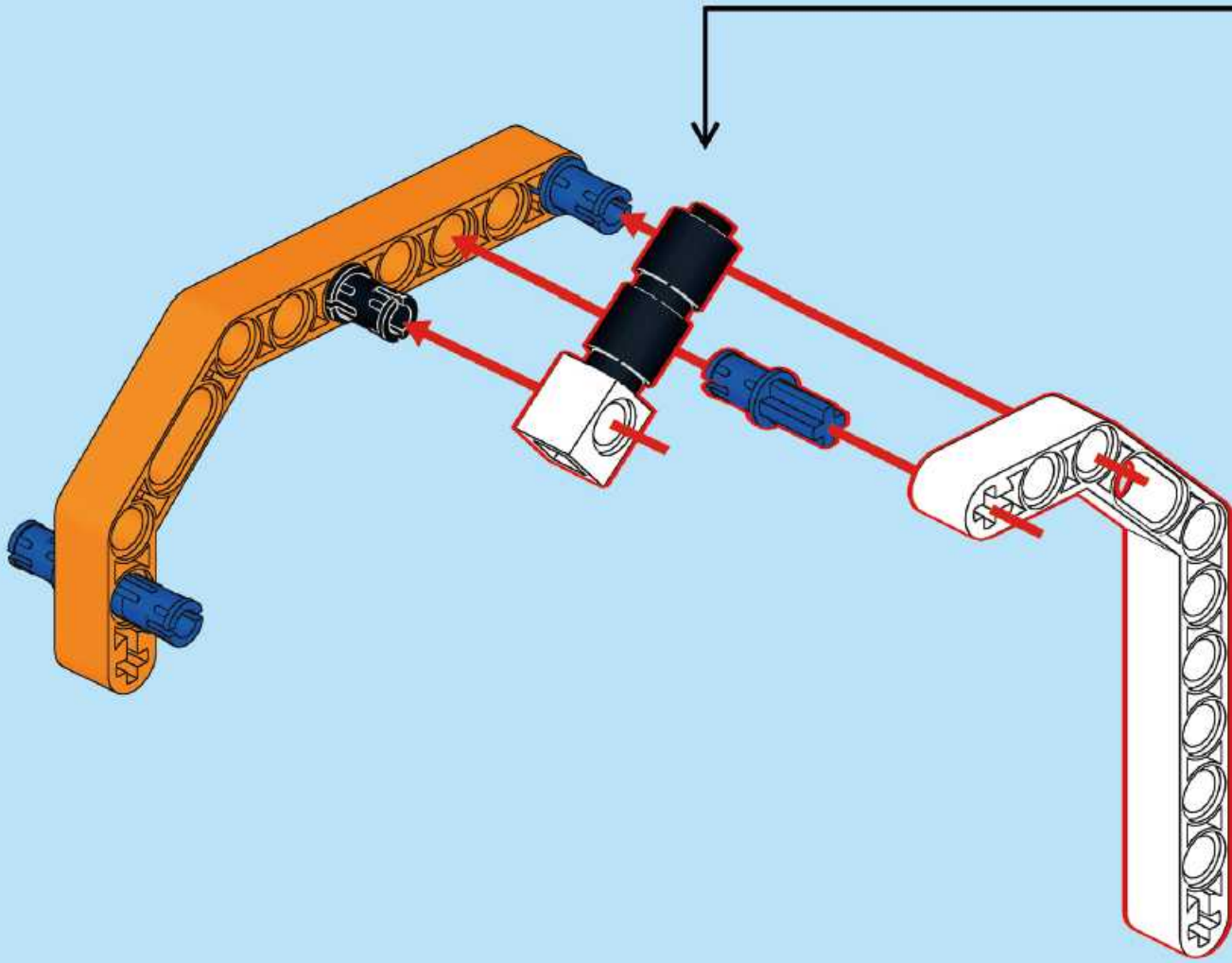
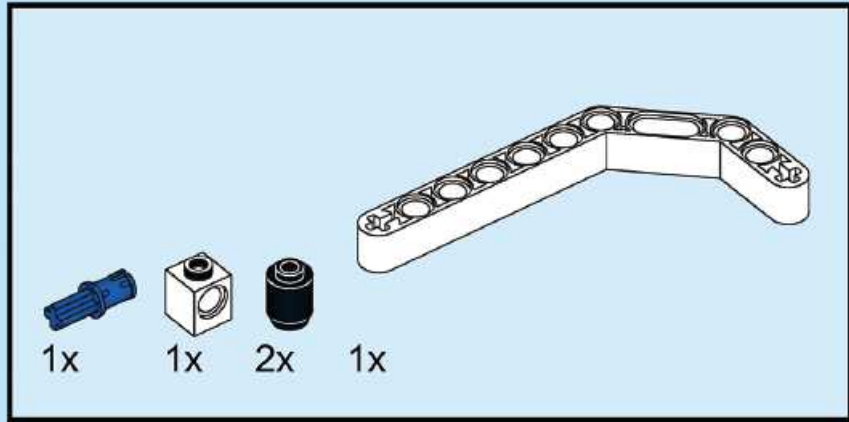




# 37

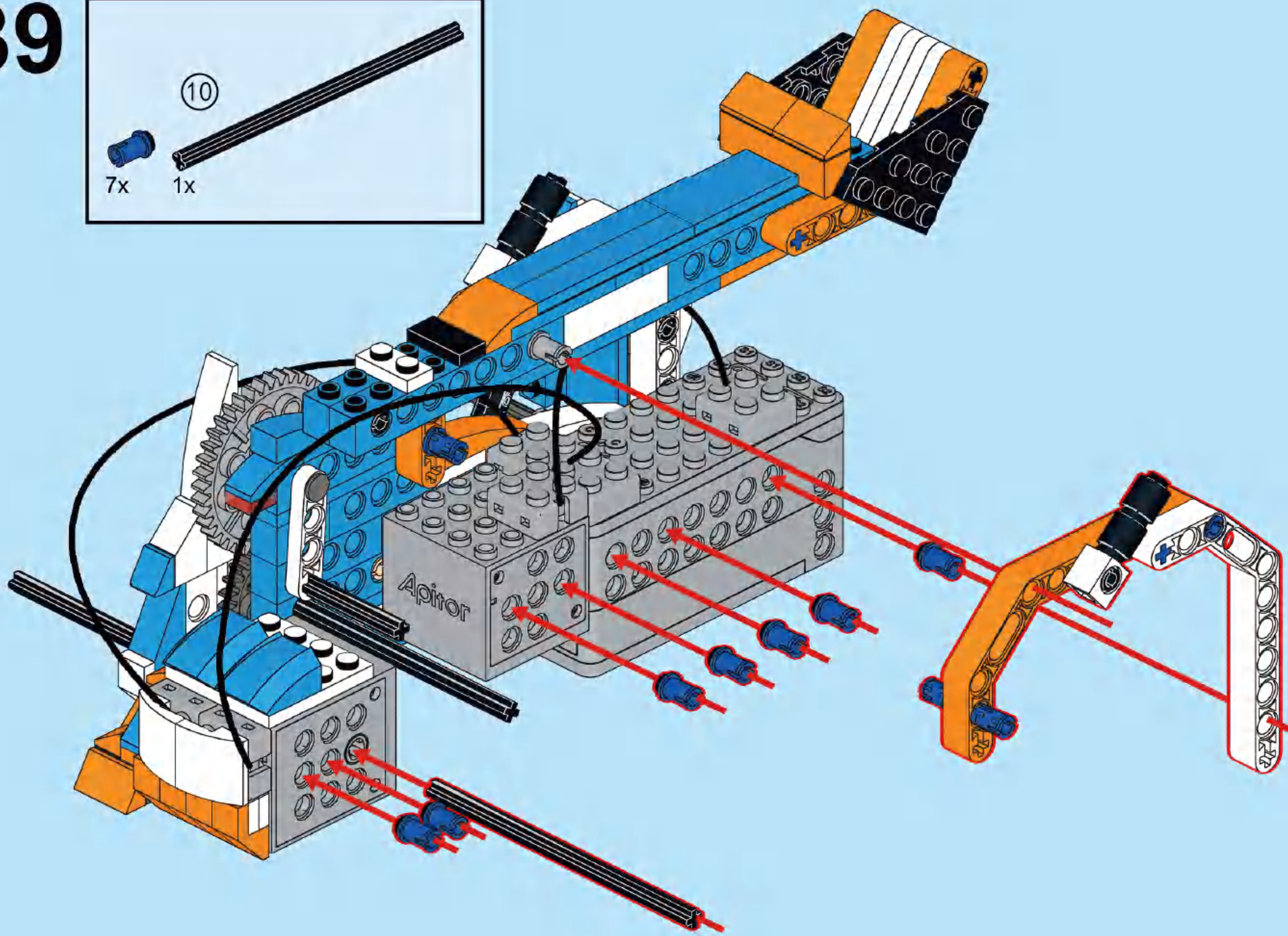
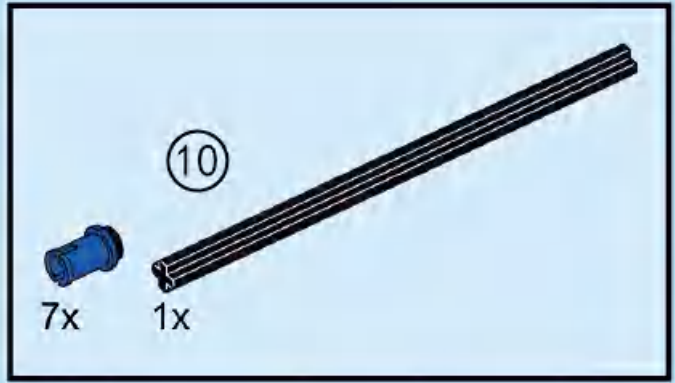


# 38

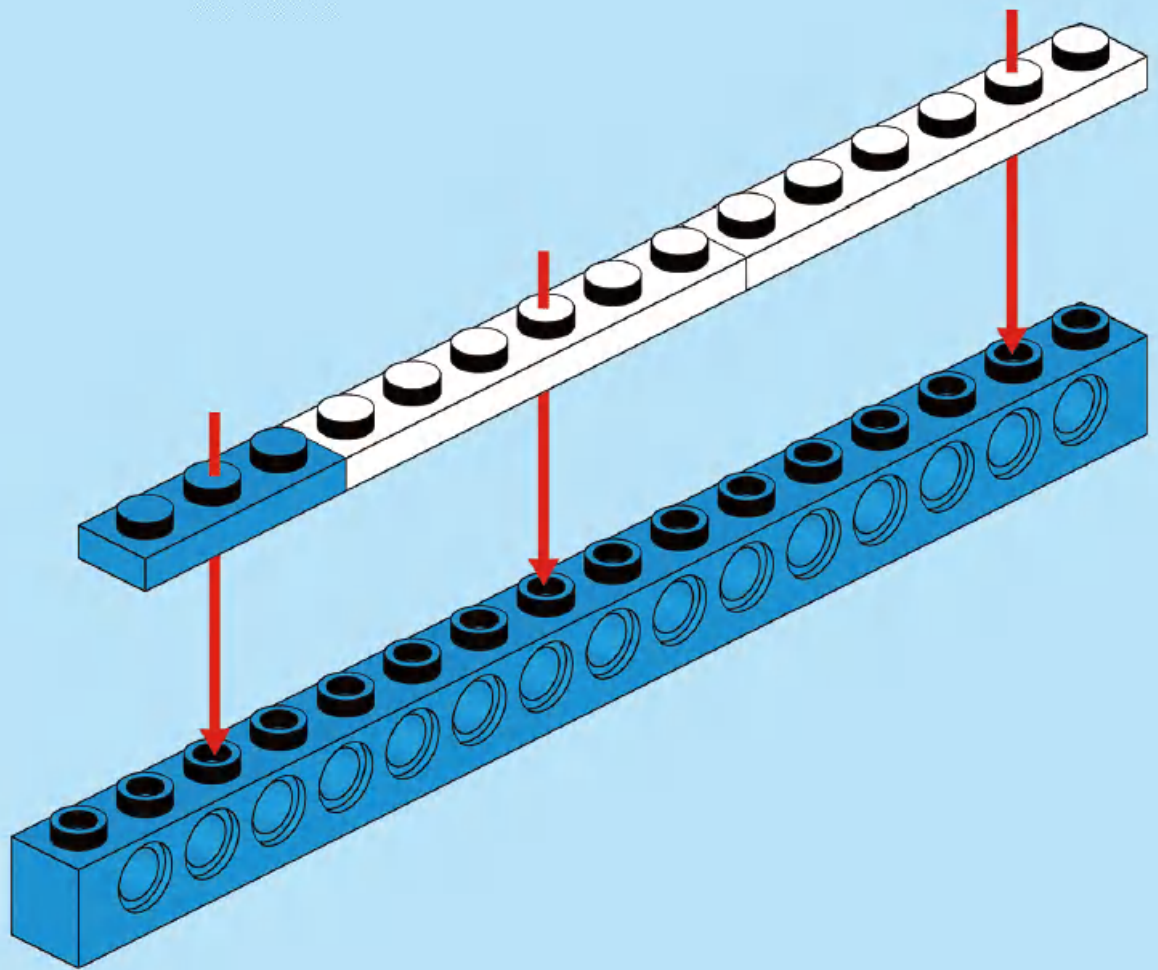
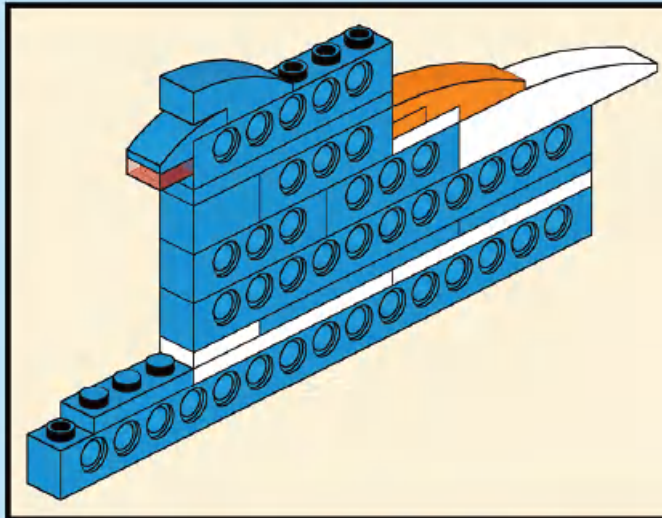
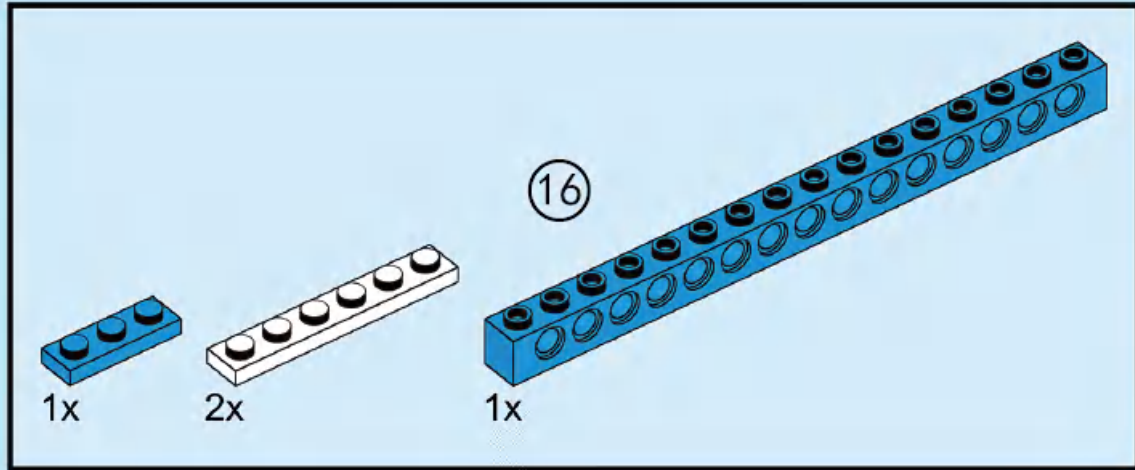




# 39

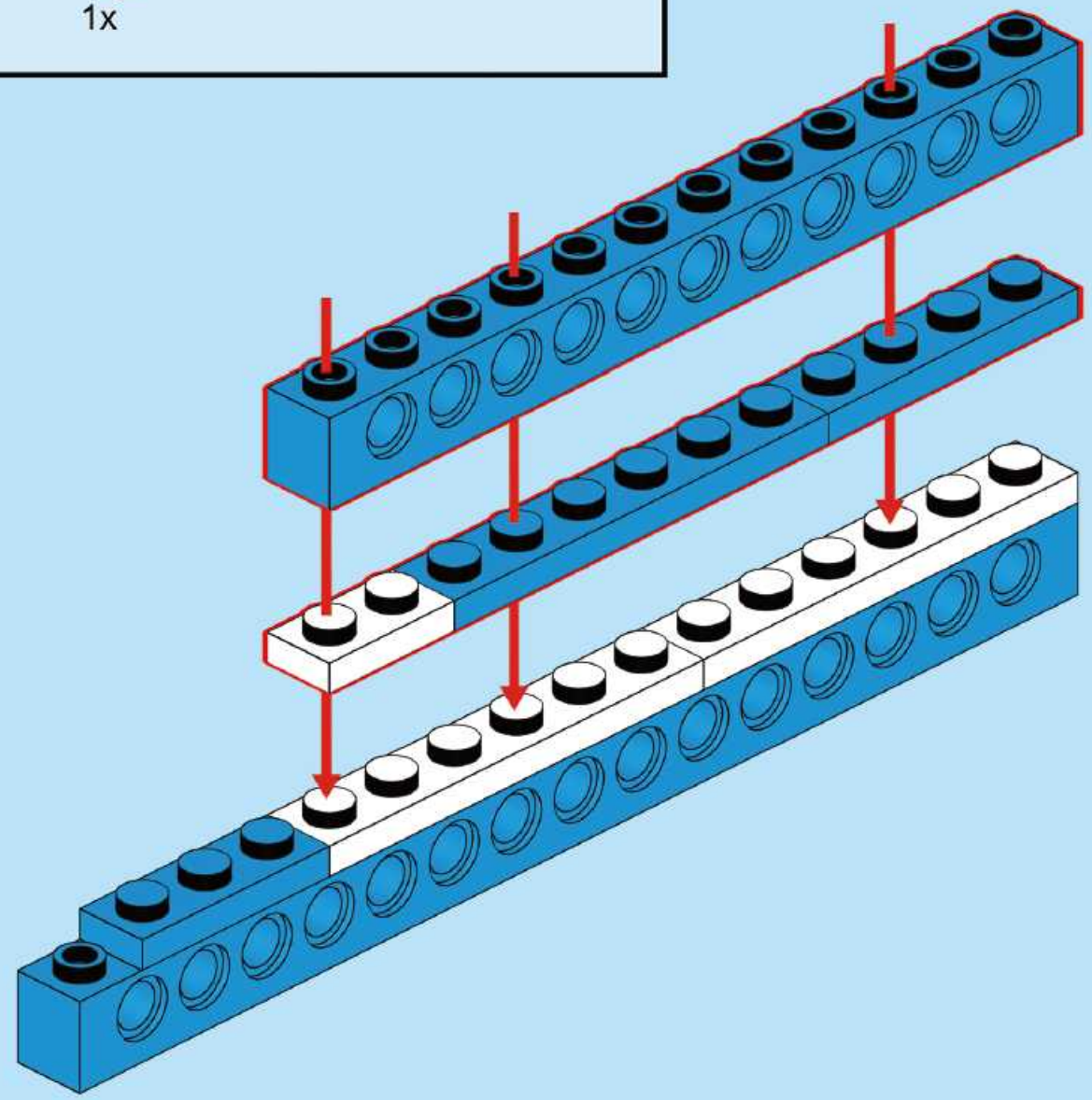
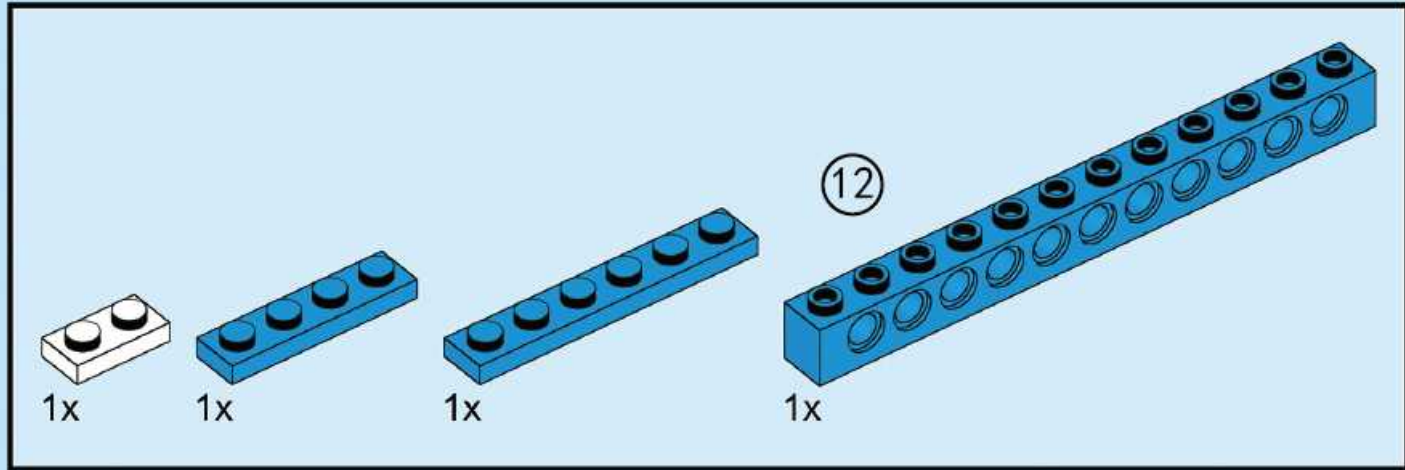


# 40

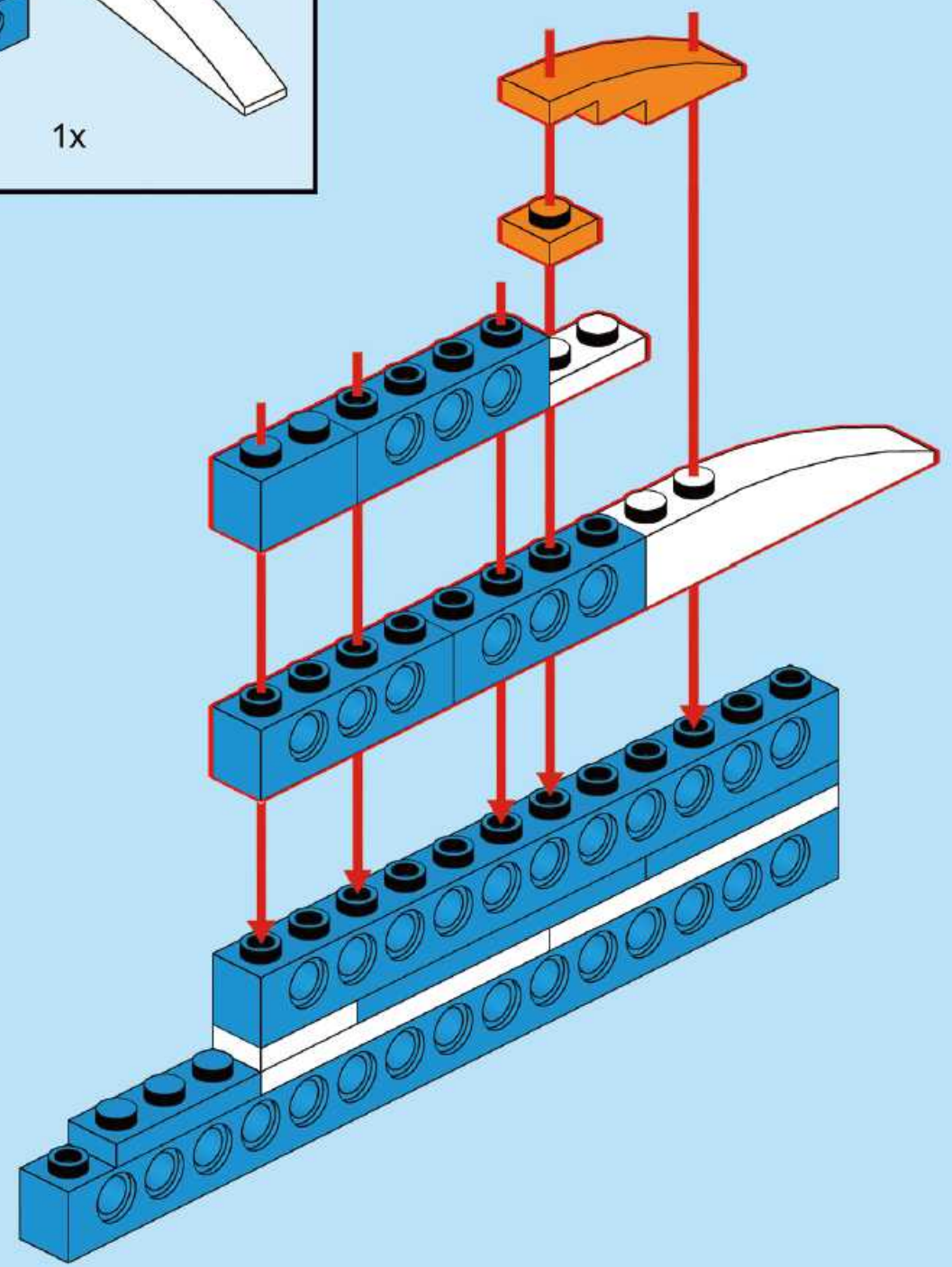
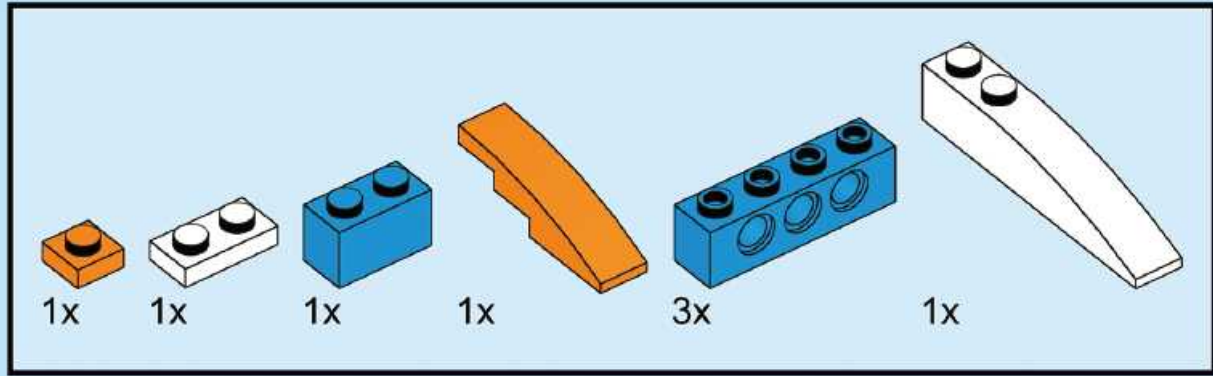




# 41

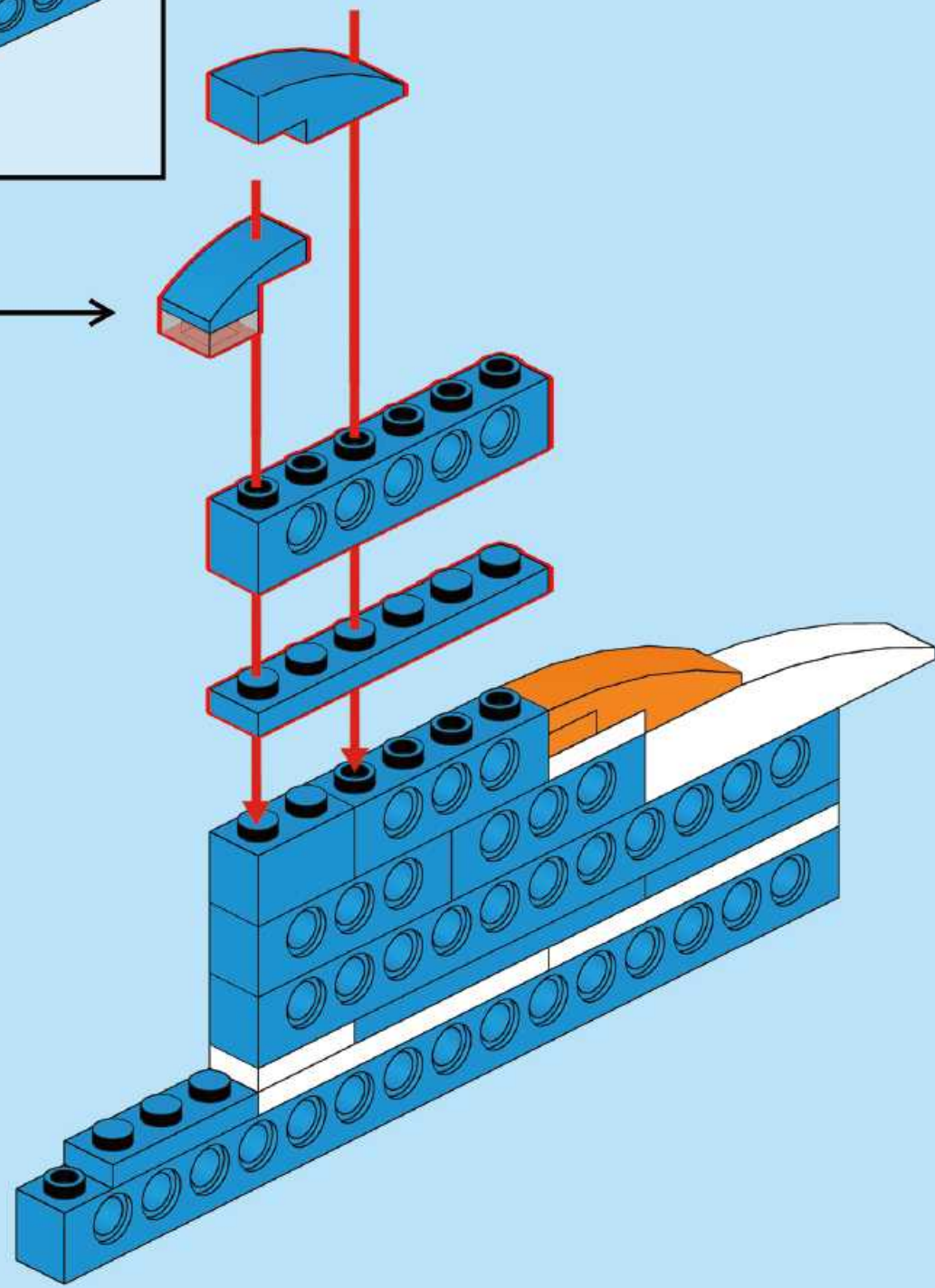
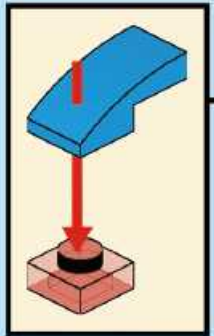
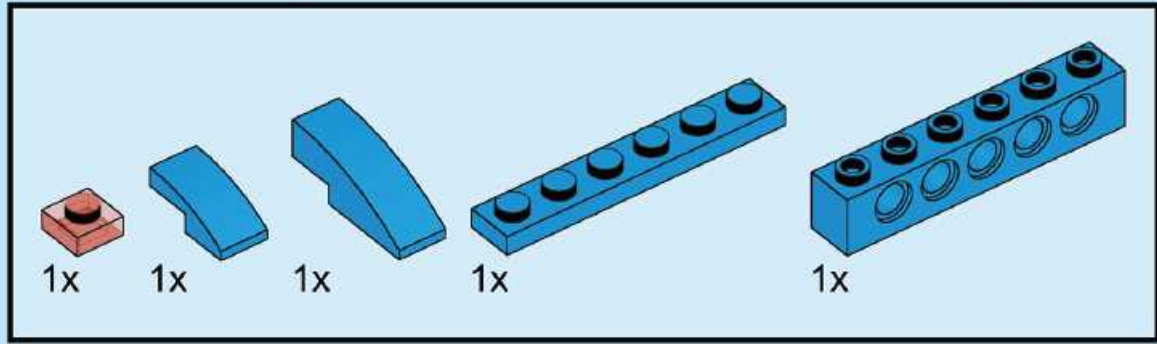


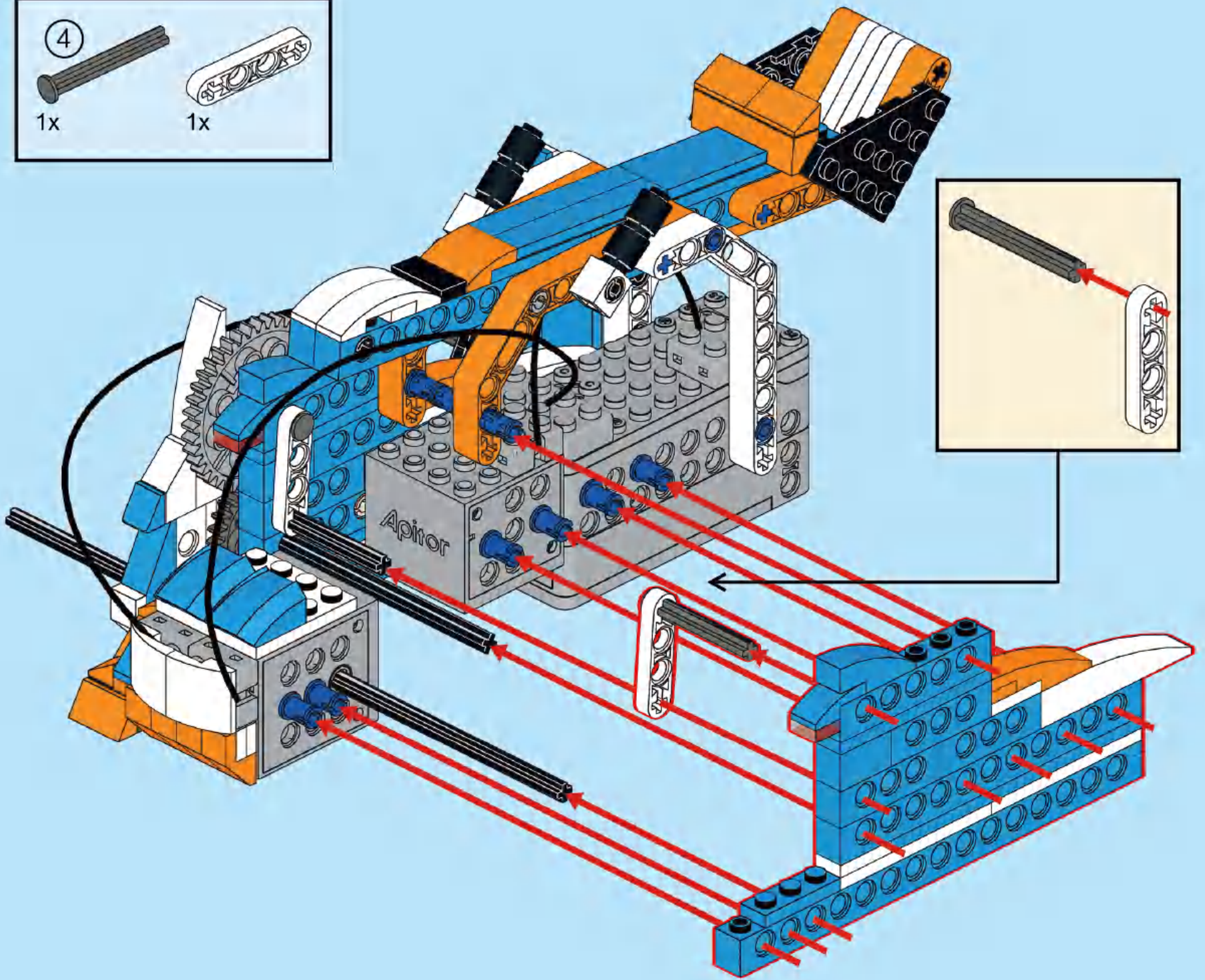
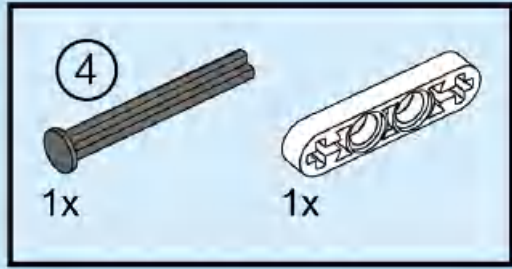
# 42





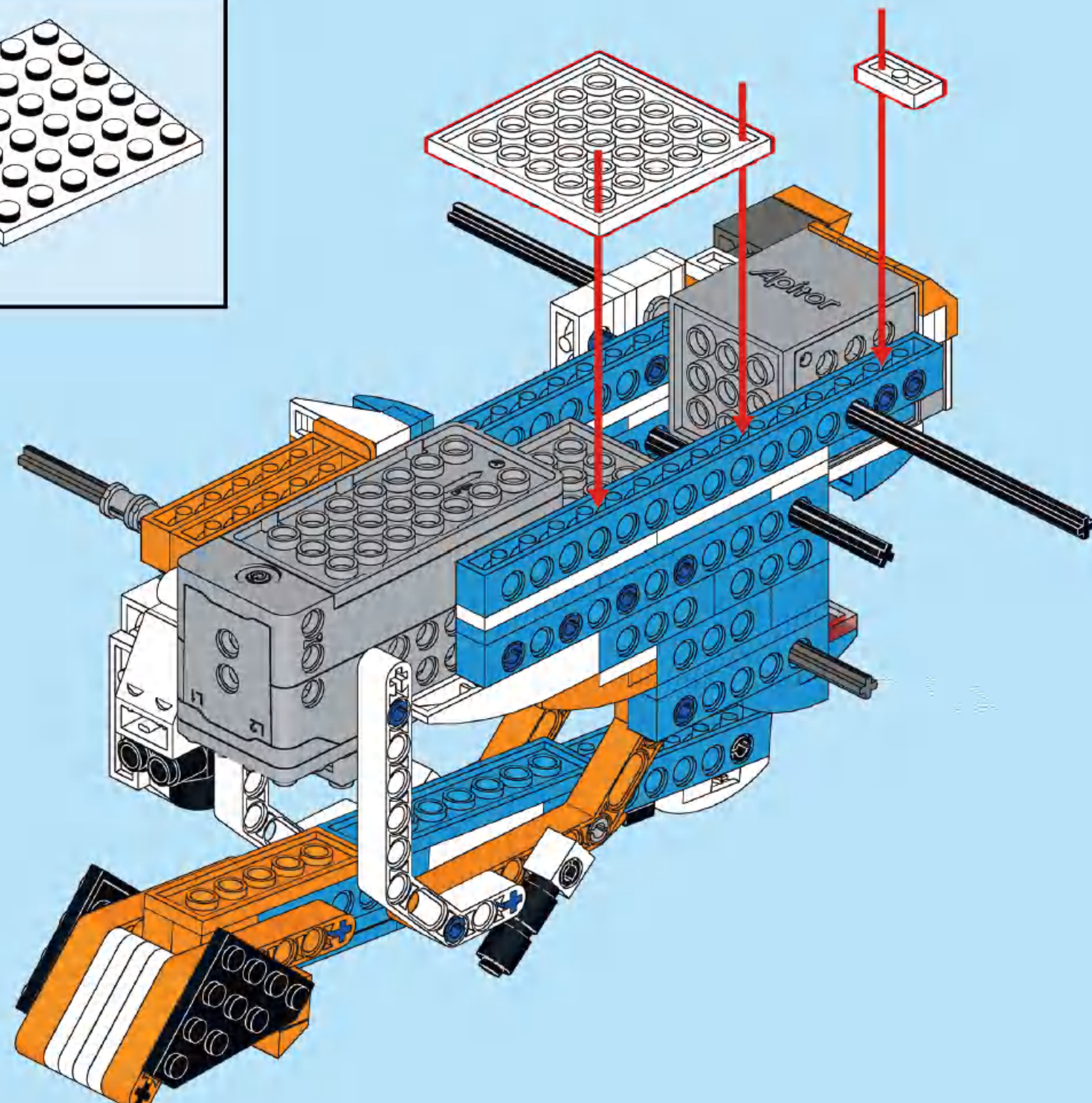
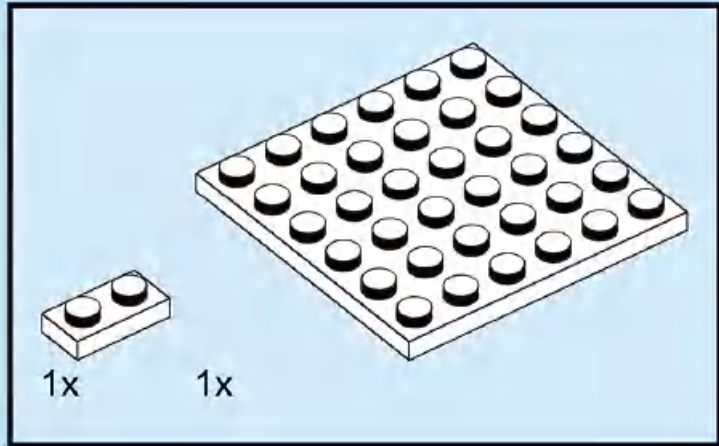
# 43





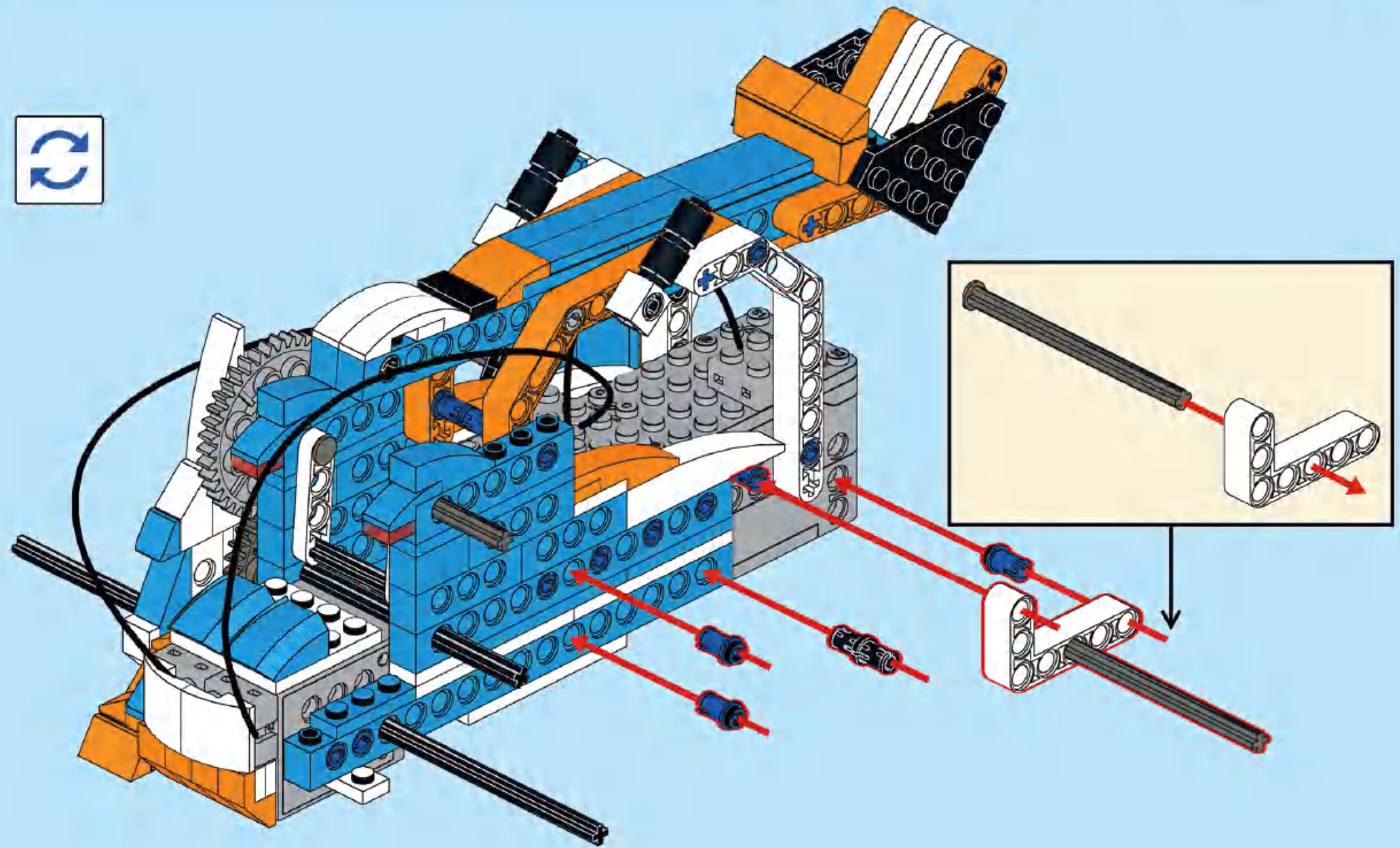
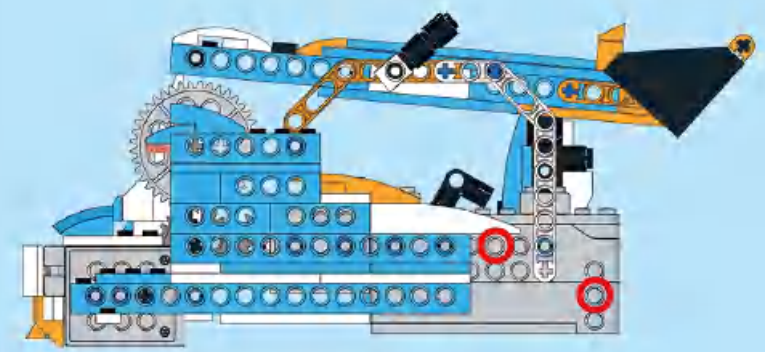
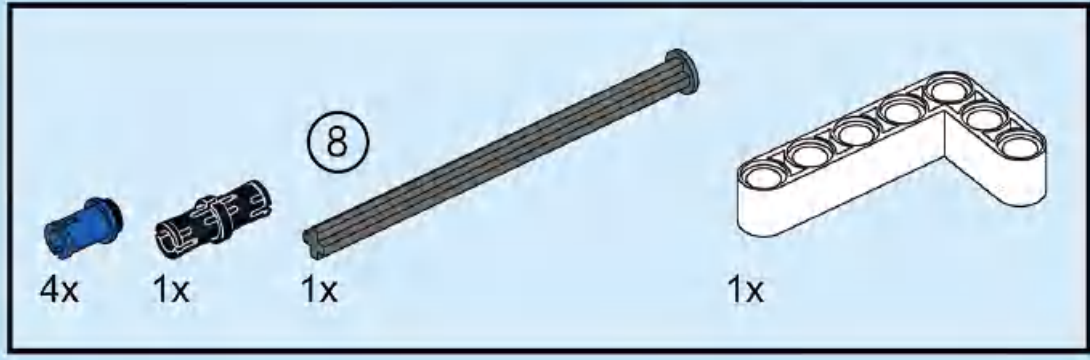


# 45



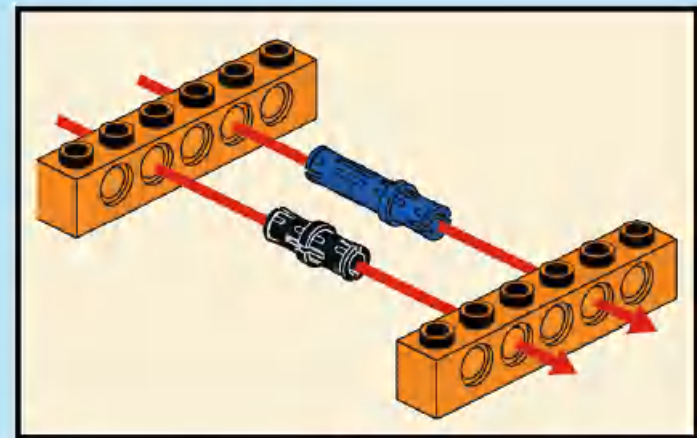
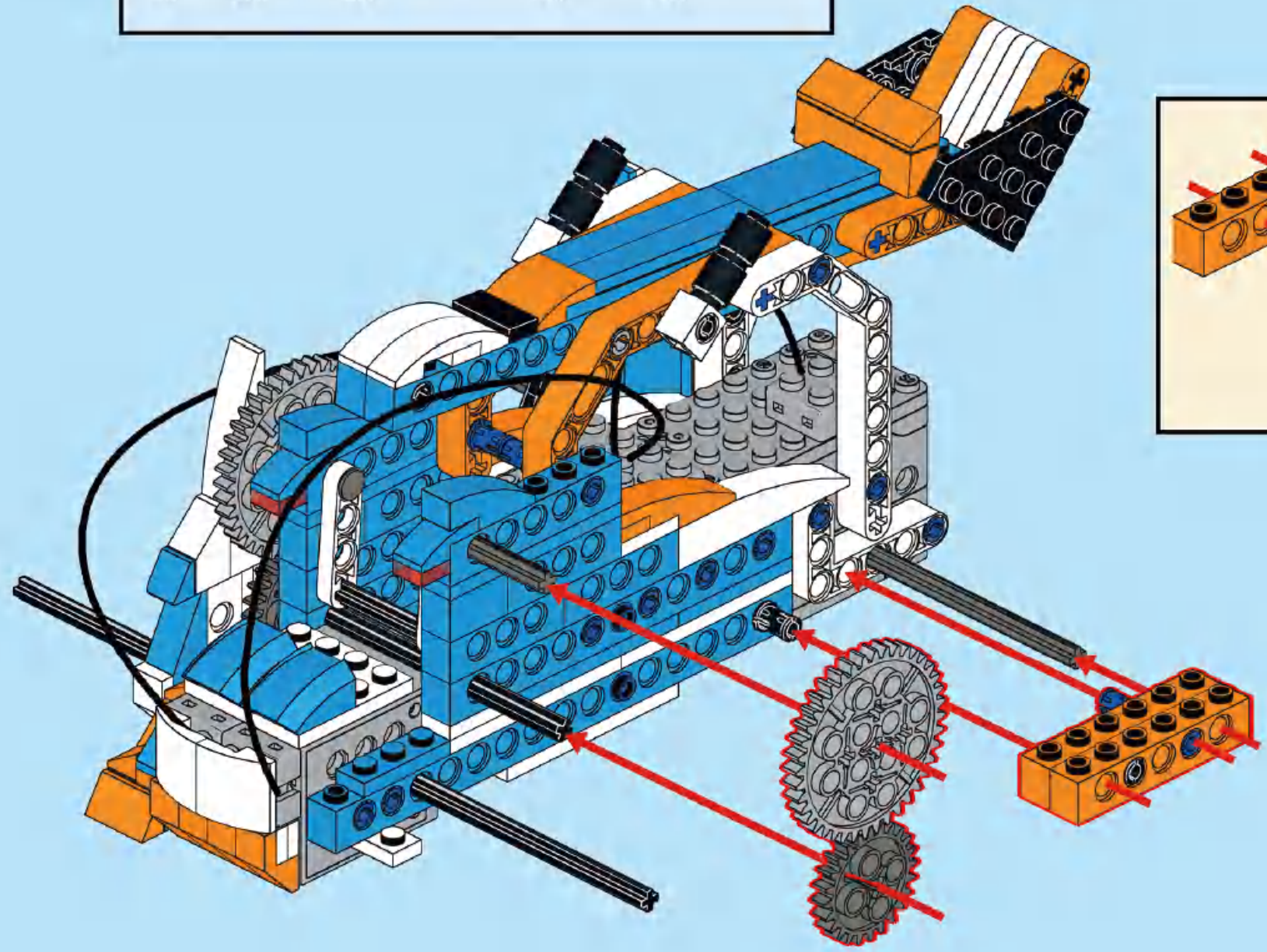
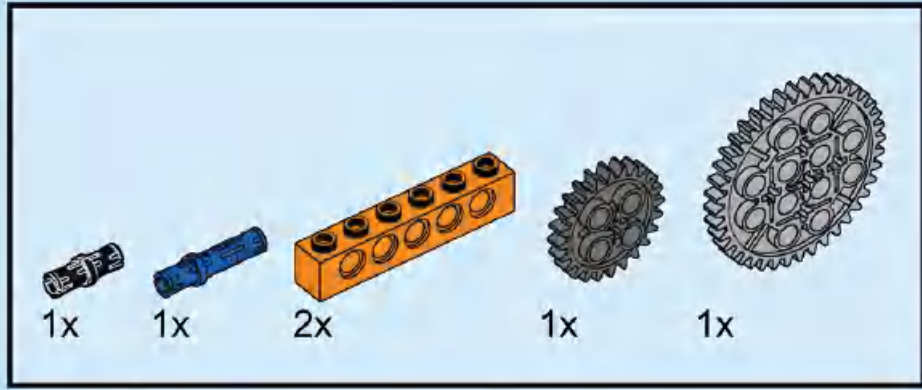


# 46

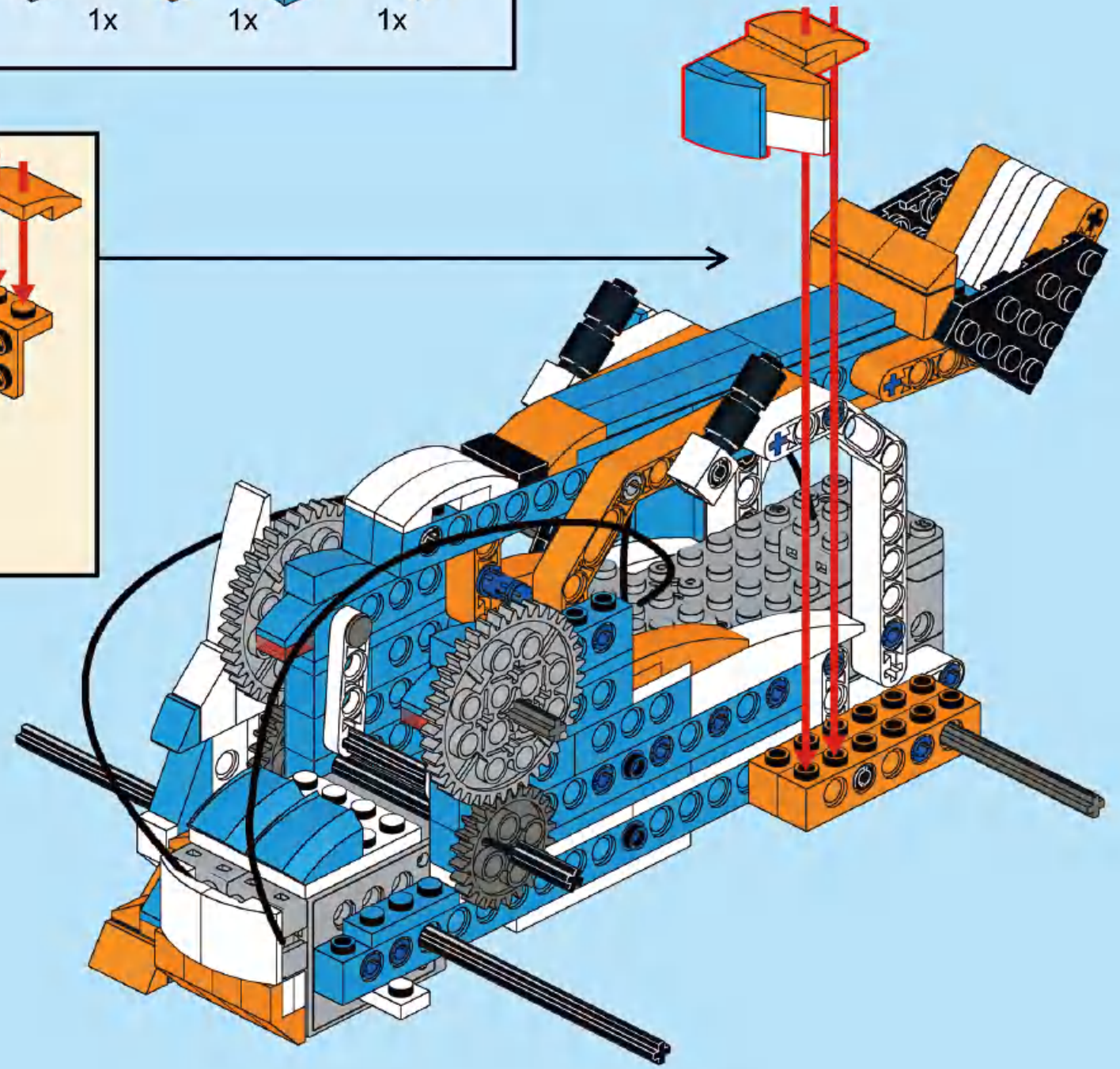
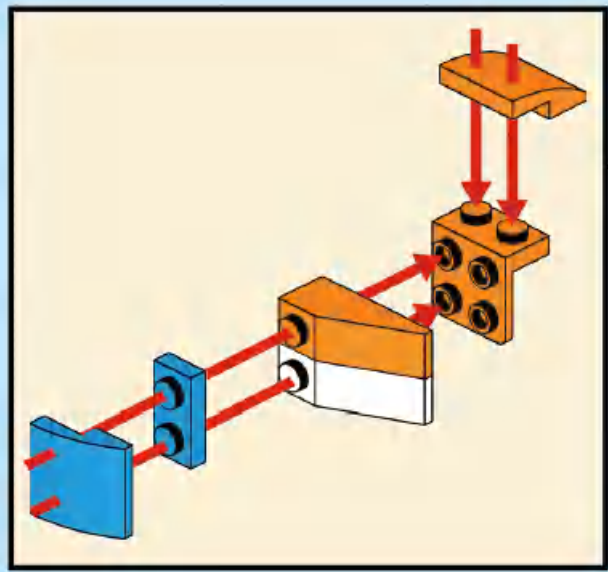
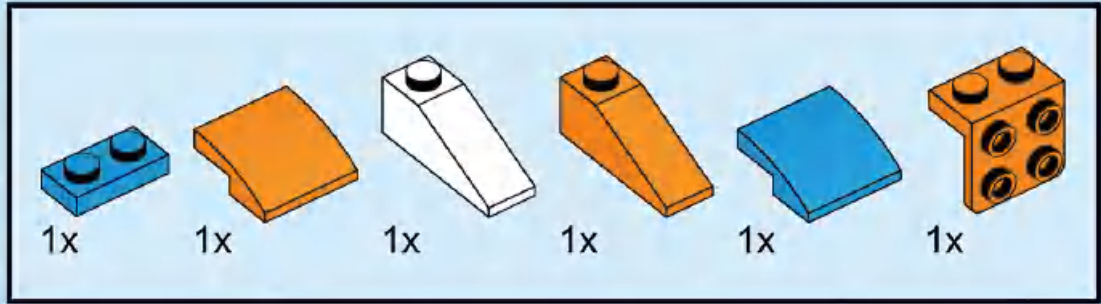




# 47

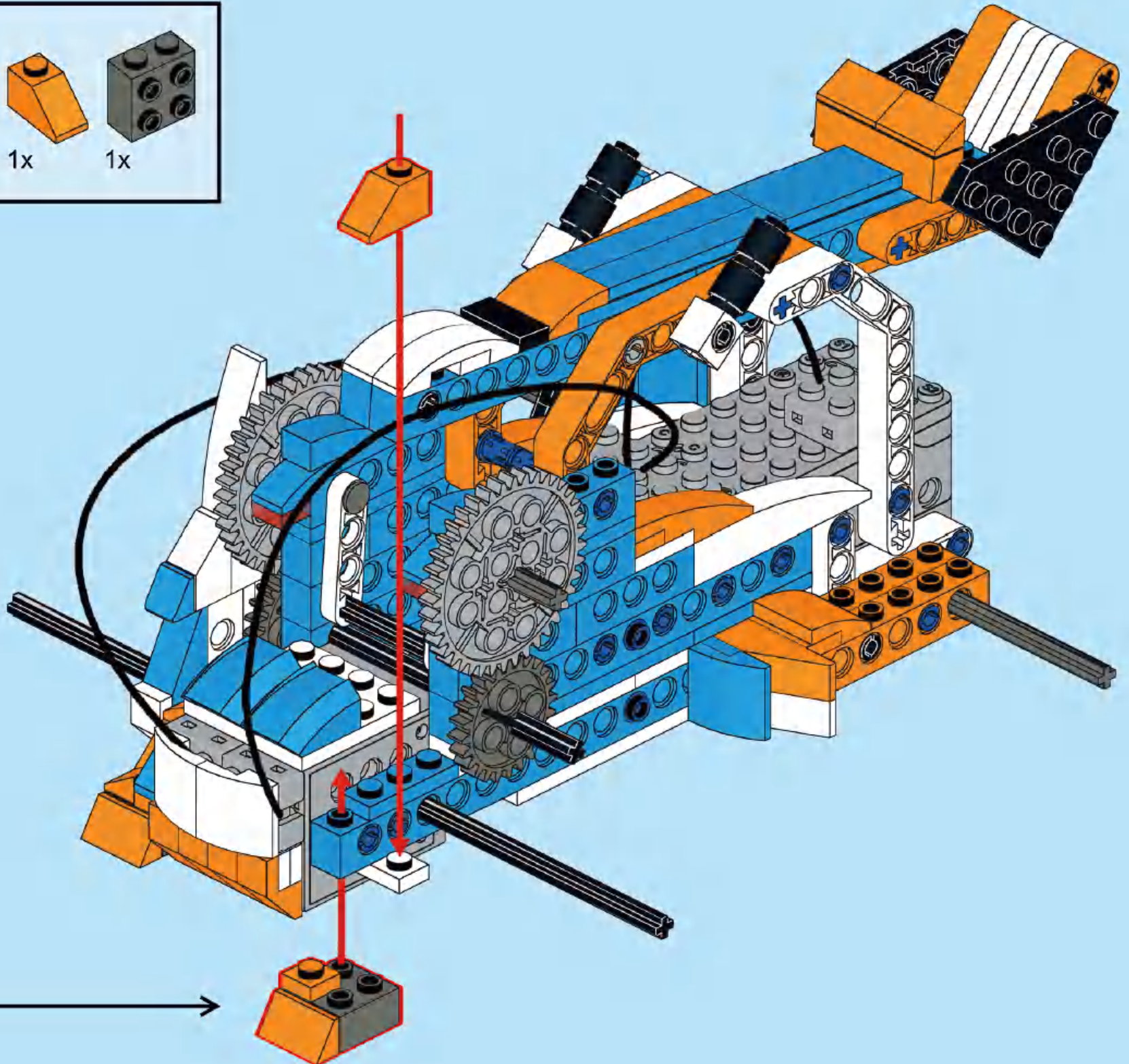
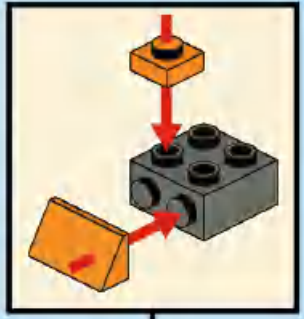
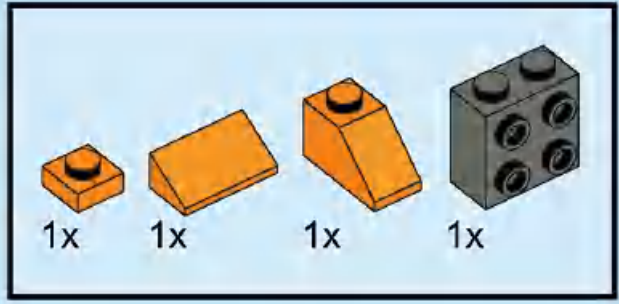






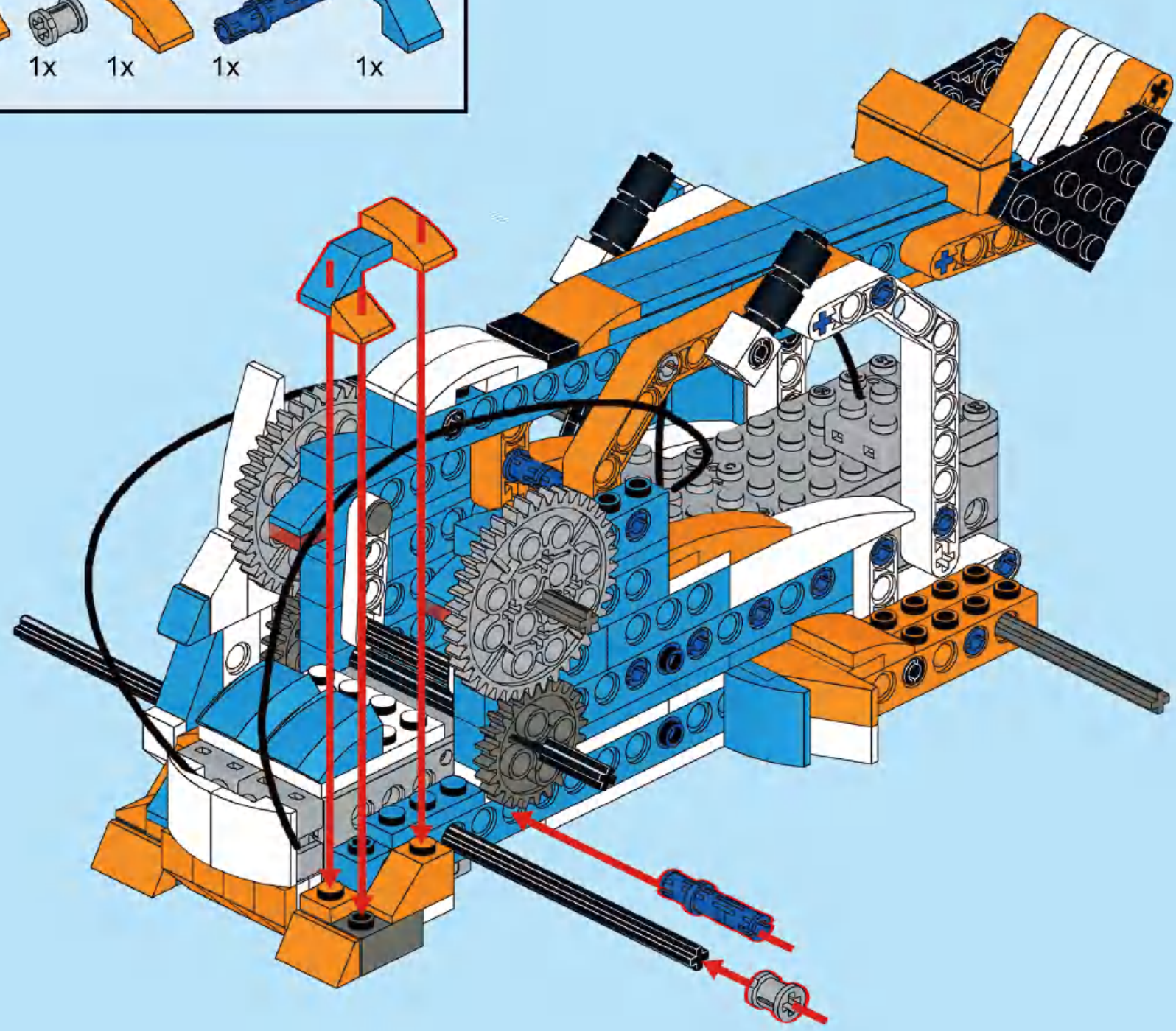
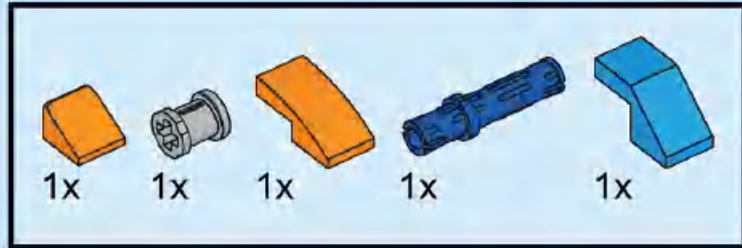


# 49



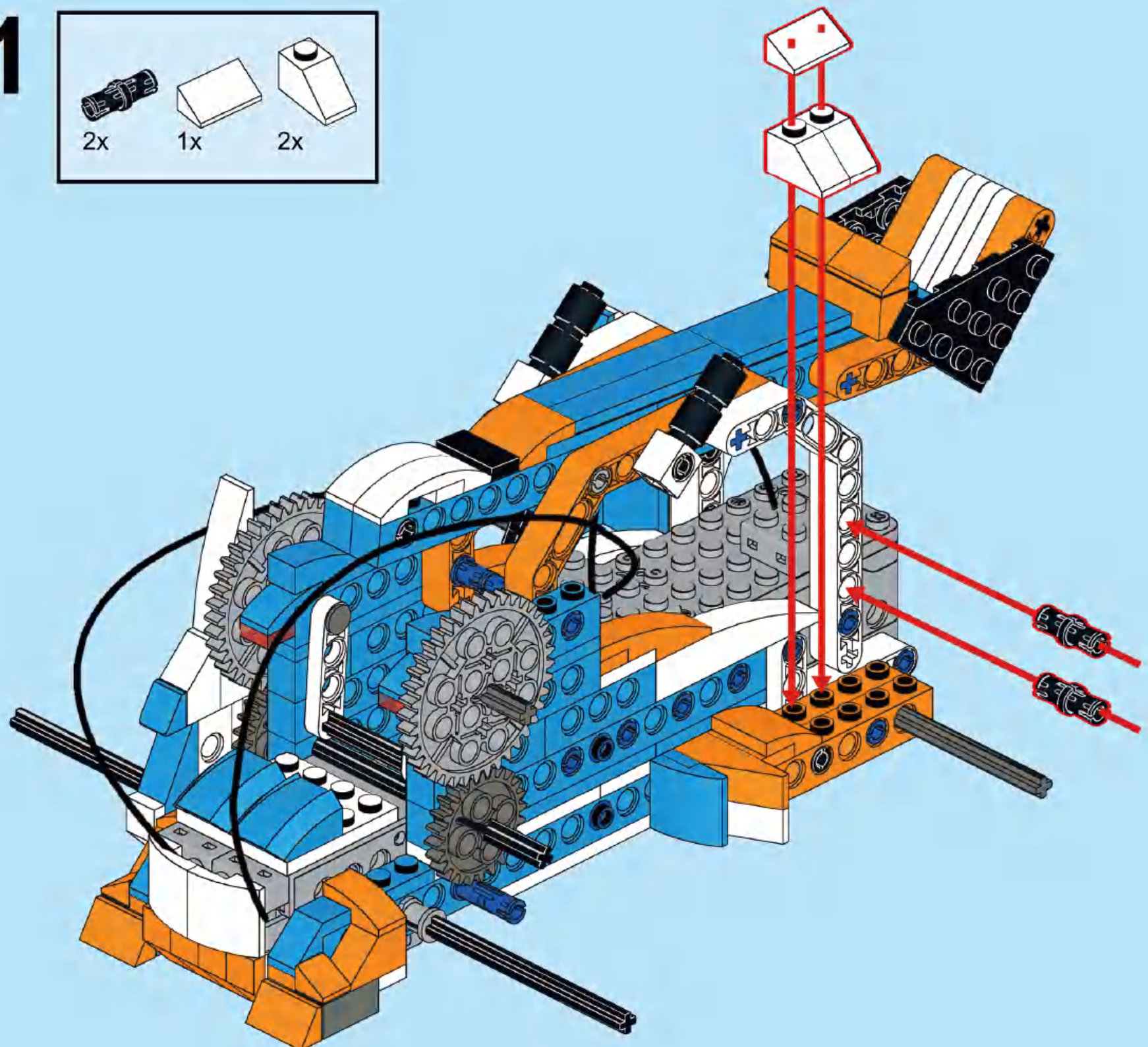
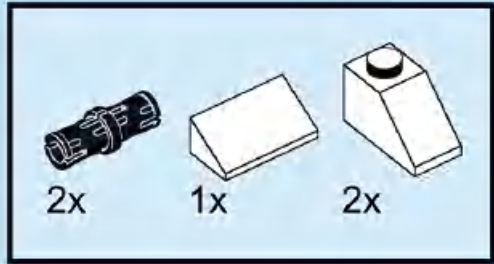


# 50





# 51



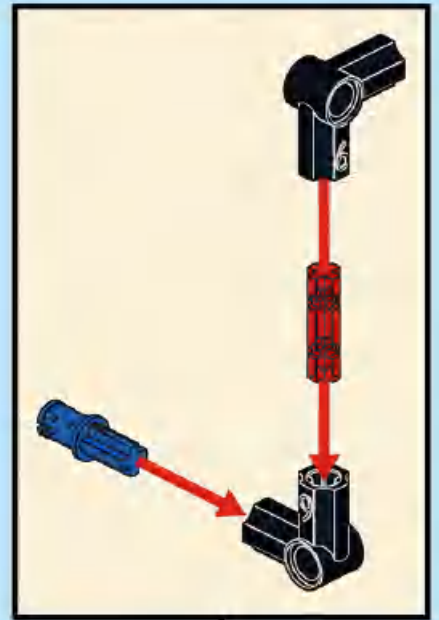
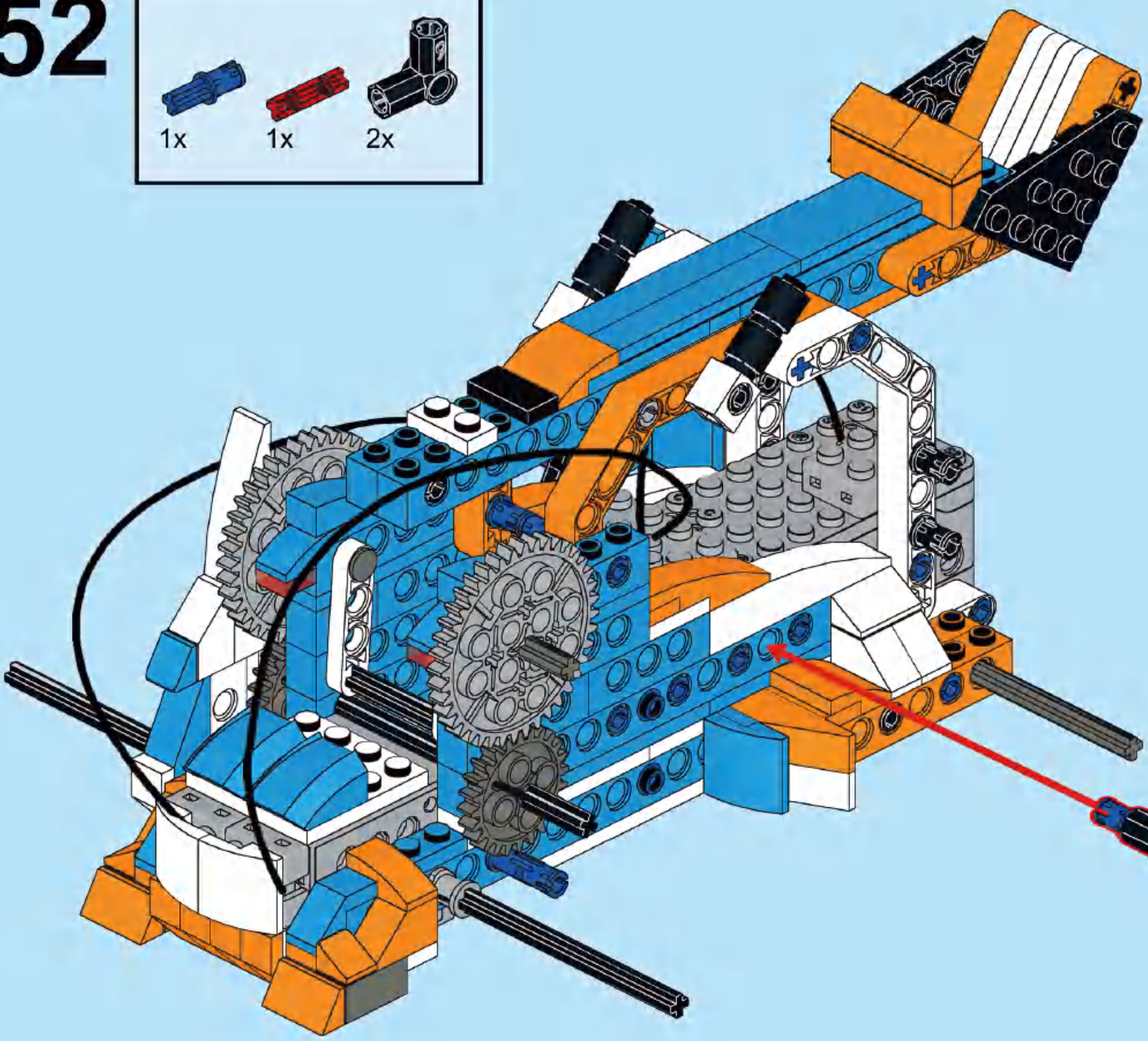


# 52

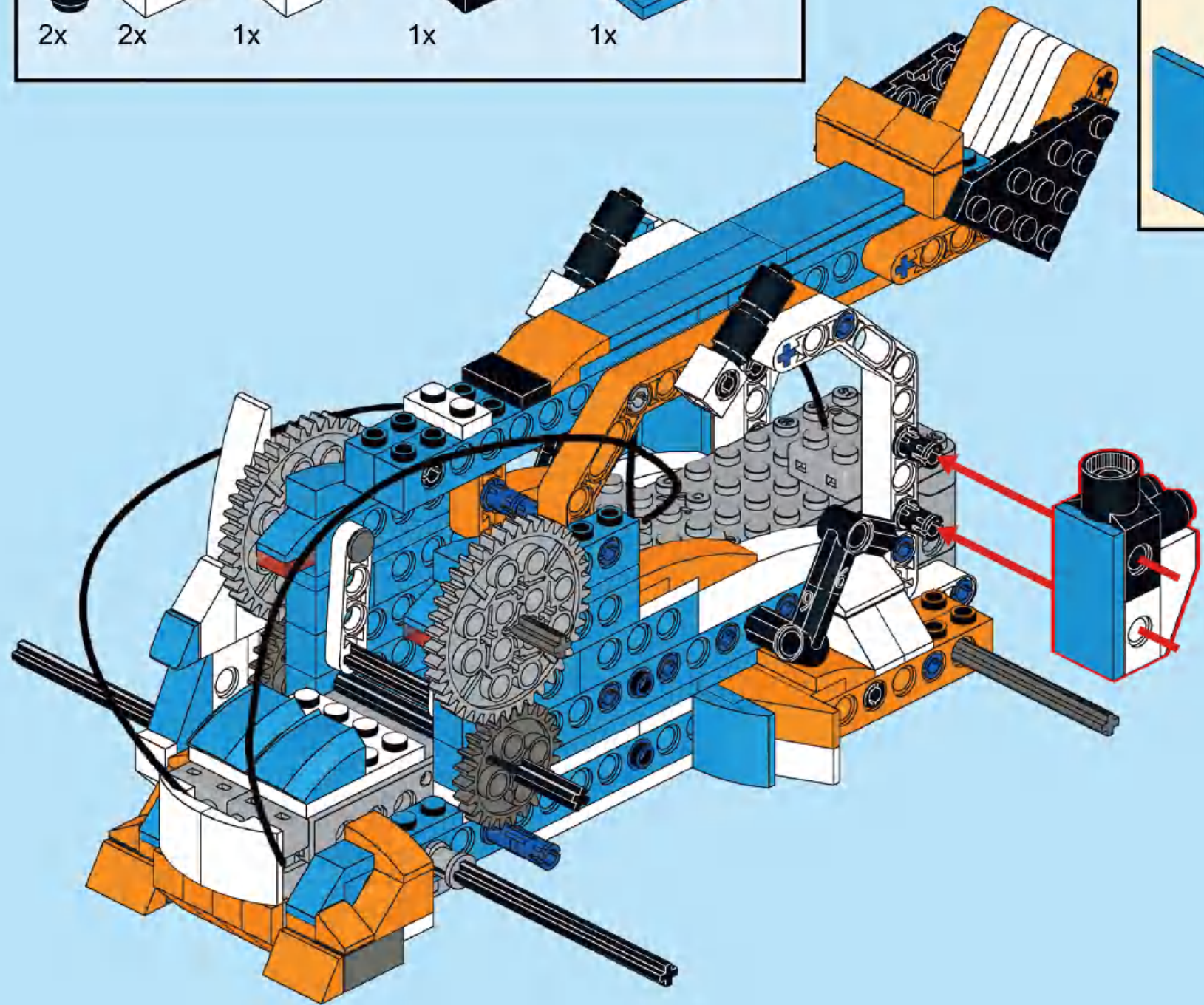
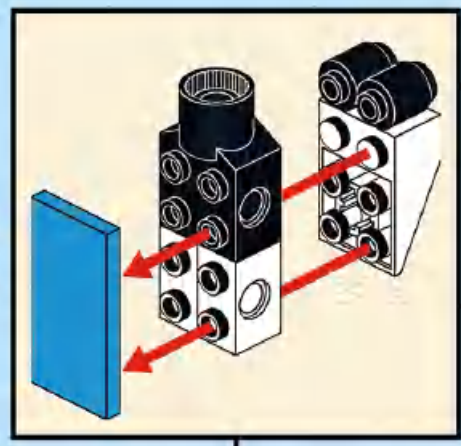
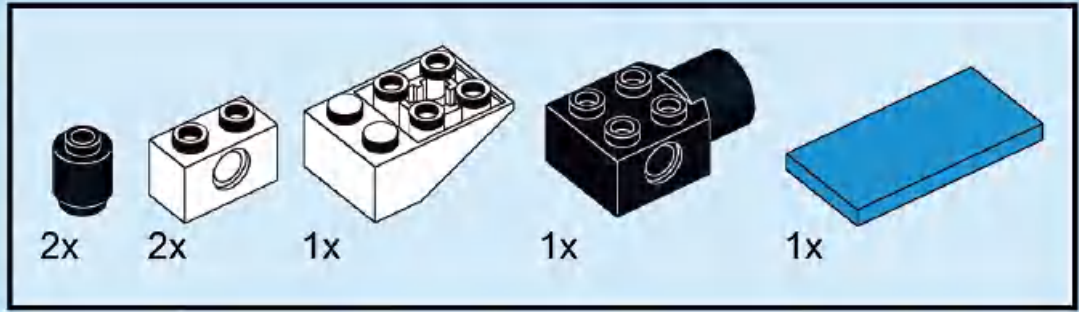


1x 1x 2x

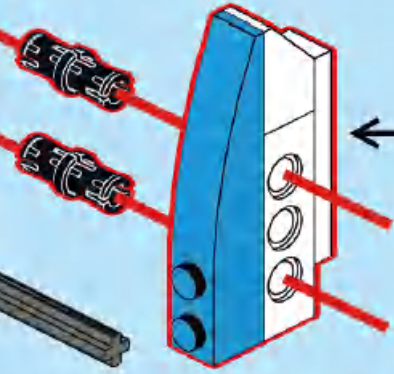
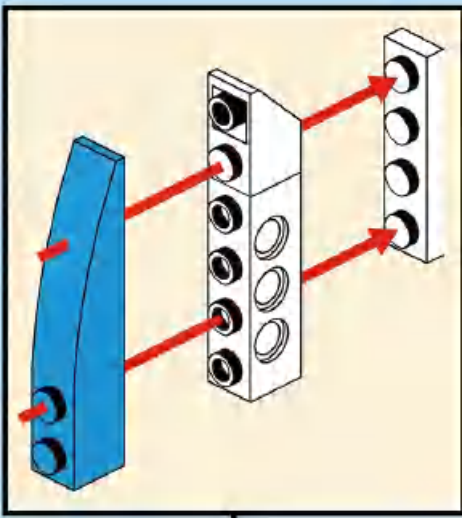
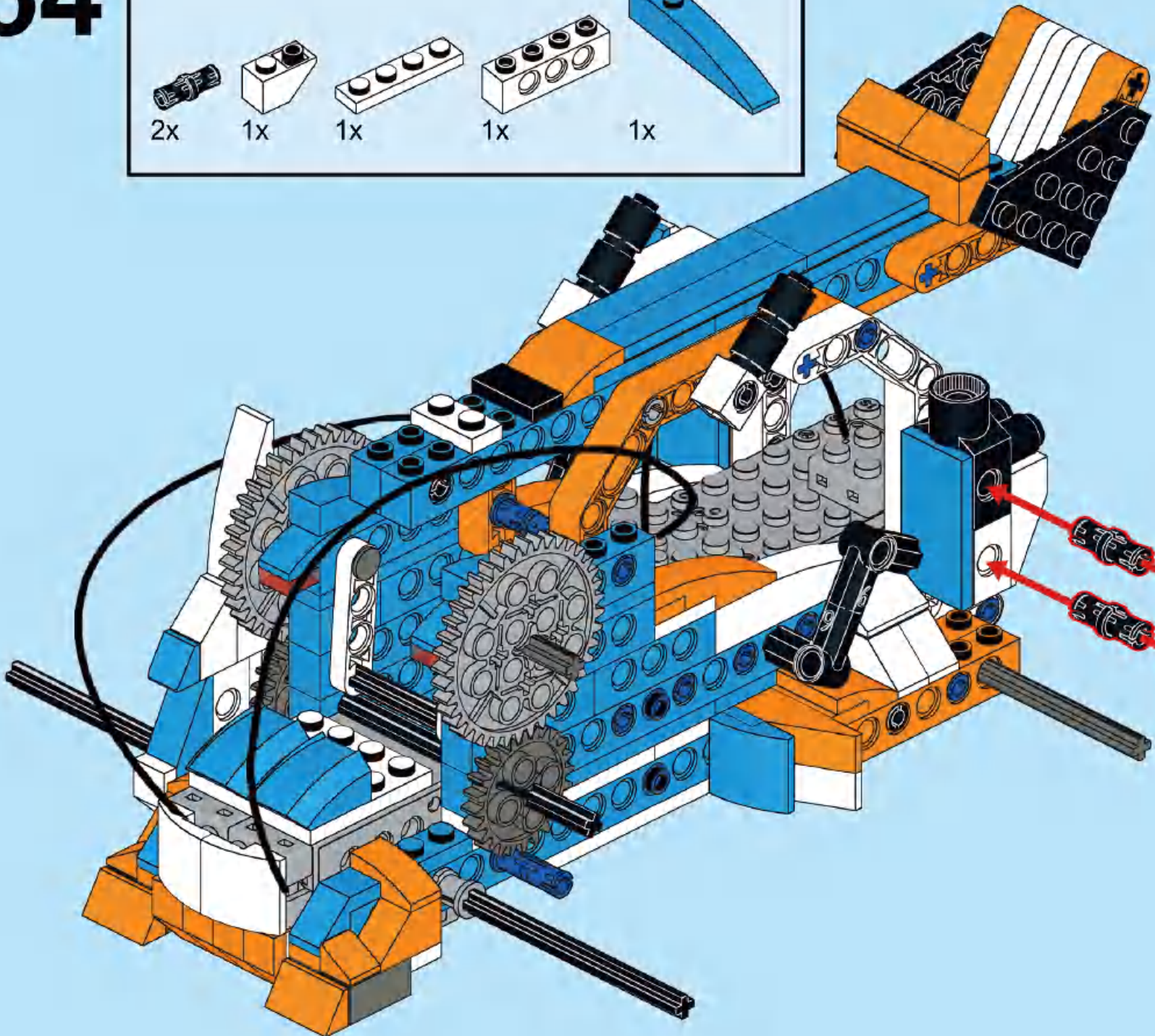
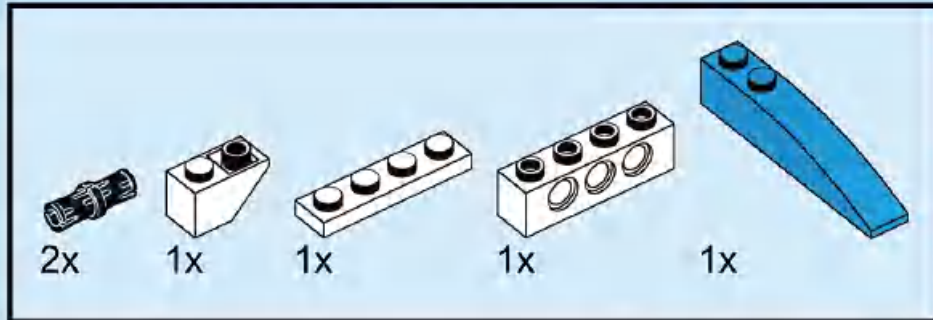
This inset box lists the required parts for step 52: one blue axle pin, one red axle pin, and two black L-shaped connectors. The quantities are indicated by '1x' and '2x' below each respective part.





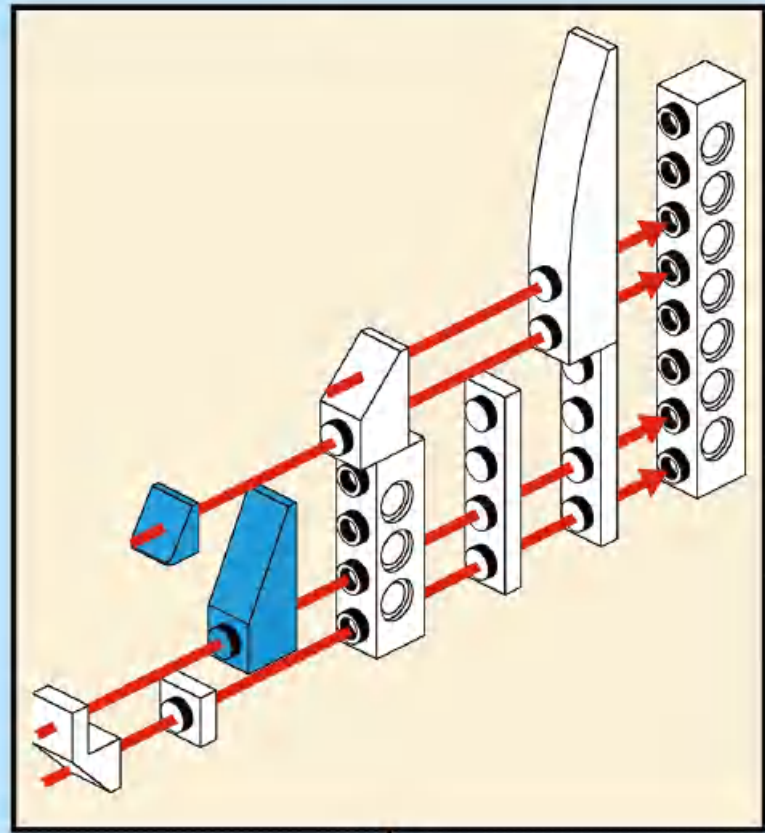
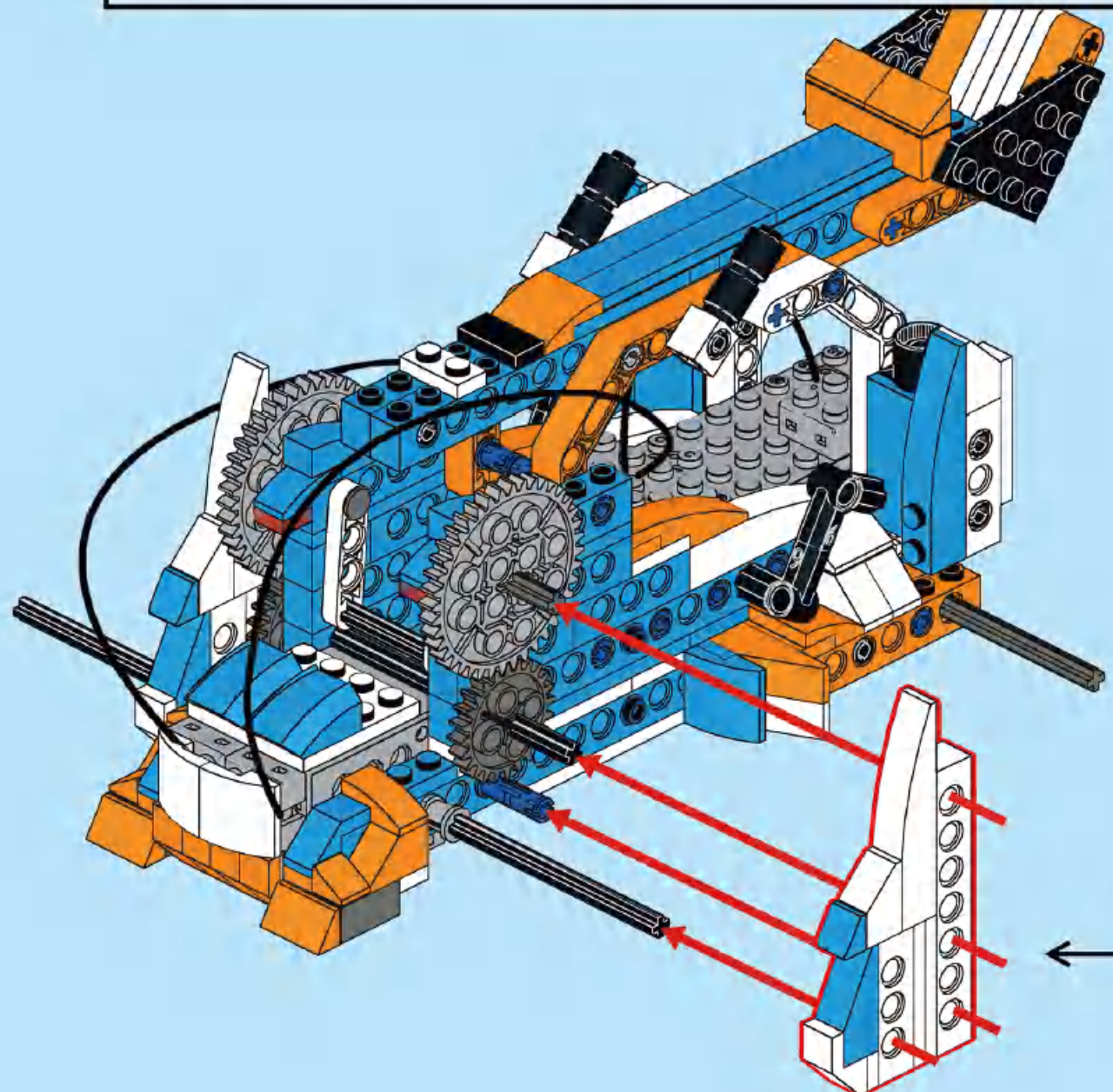






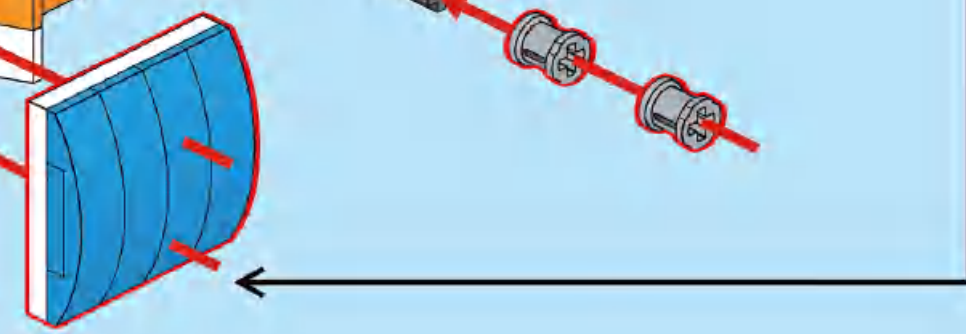
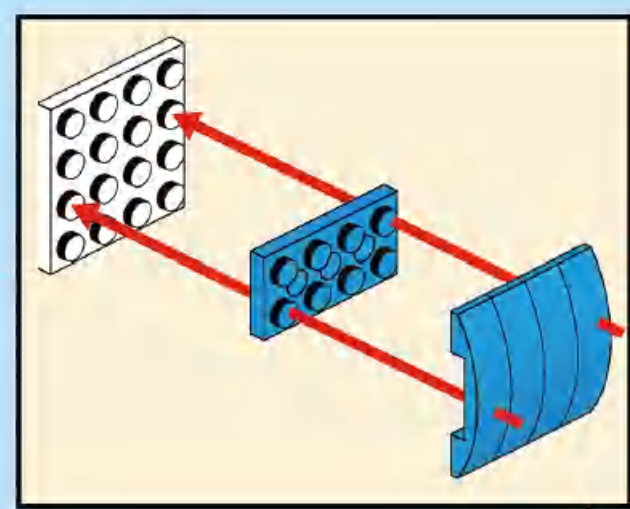
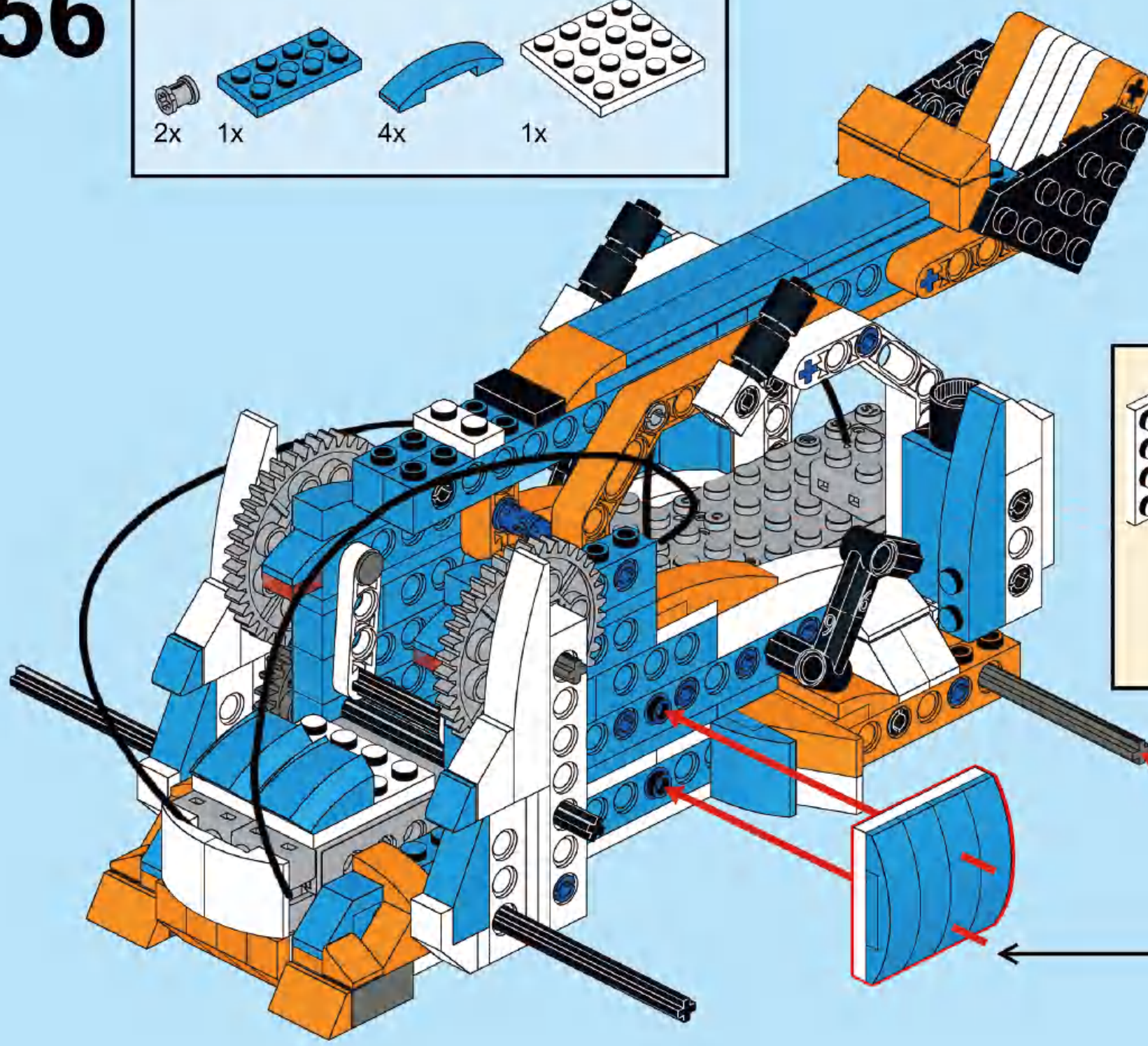
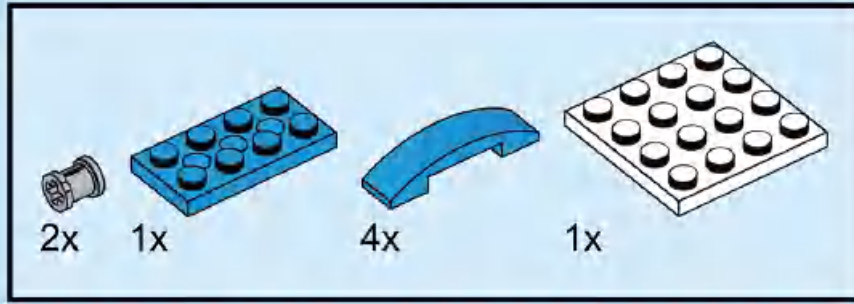


- 1x [1x 1-hole white Technic brick]
- 1x [1x 1-hole blue Technic brick]
- 1x [1x 1-hole white Technic brick with notch]
- 1x [1x 1-hole white Technic brick with notch]
- 1x [1x 1-hole blue Technic brick with notch]
- 2x [1x 2-hole white Technic brick]
- 1x [1x 3-hole white Technic brick]
- 1x [1x 1-hole white Technic brick with notch]
- 1x [1x 5-hole white Technic brick]



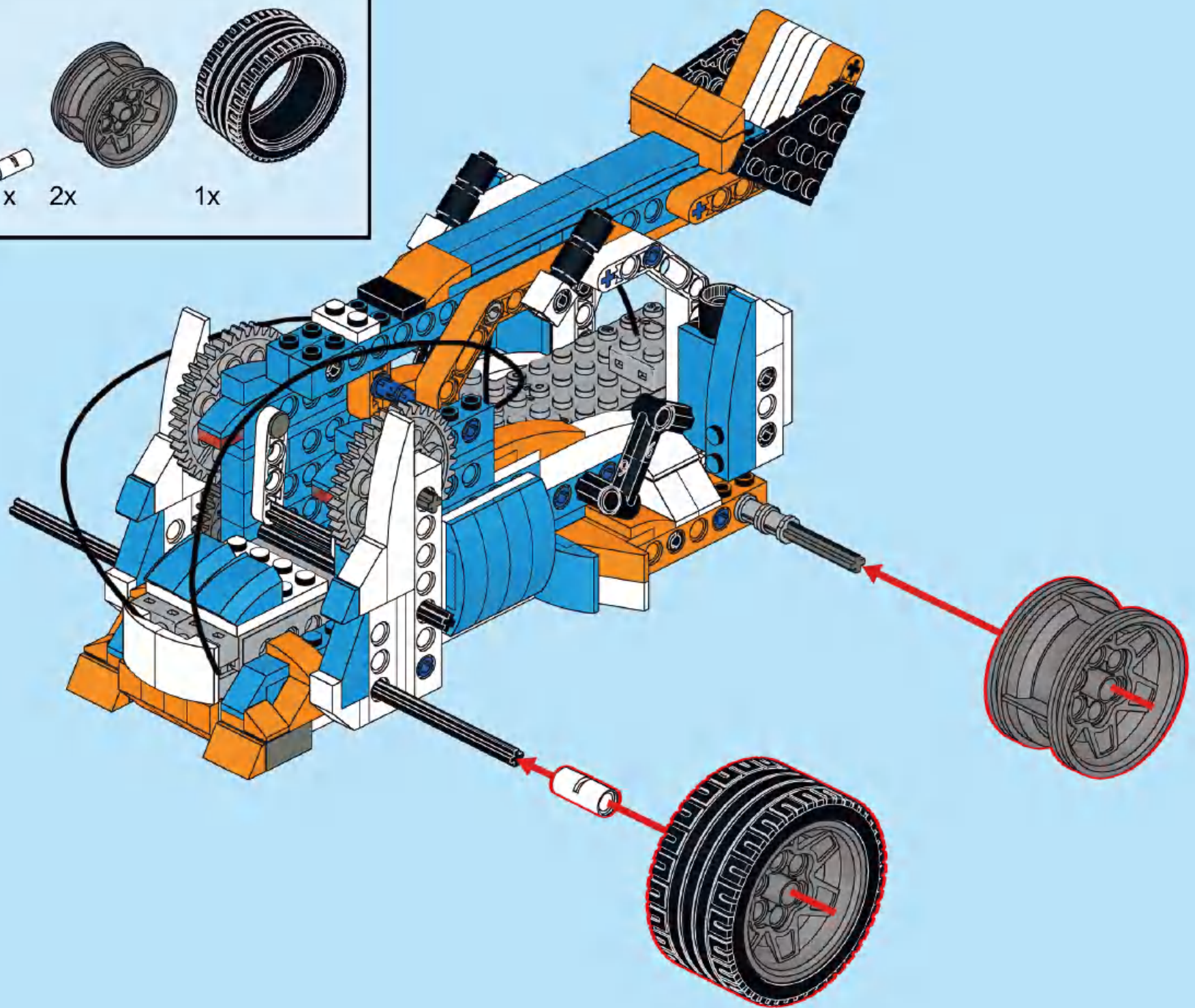
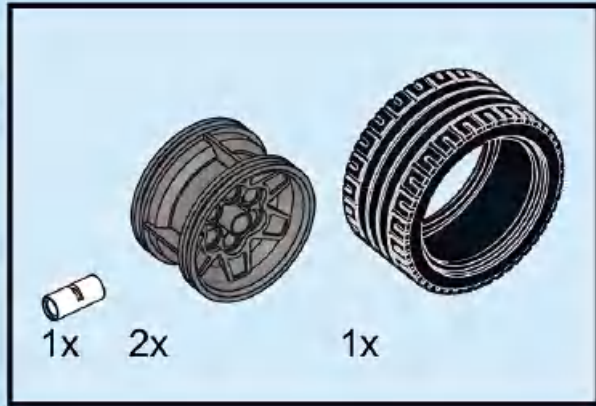


# 56

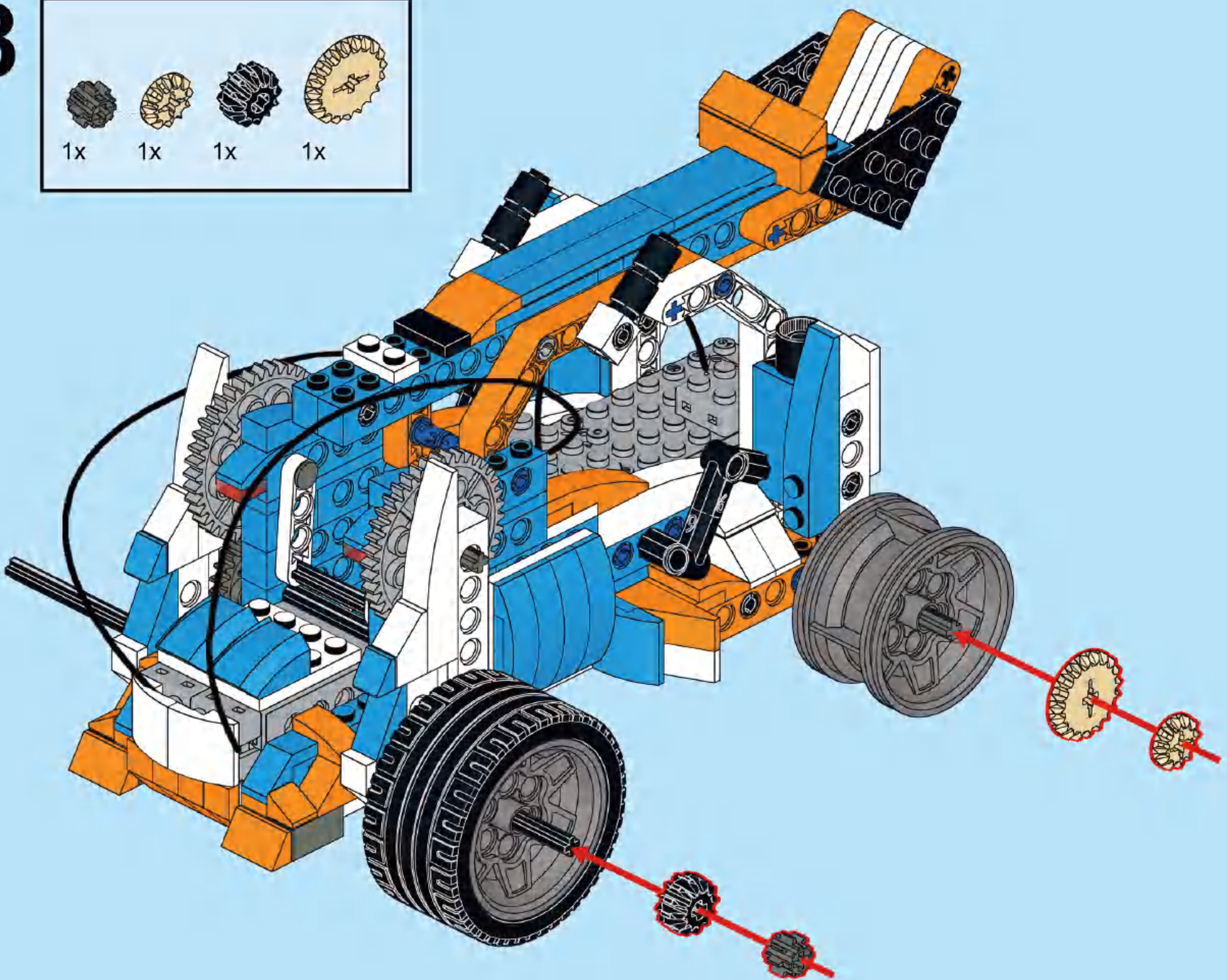
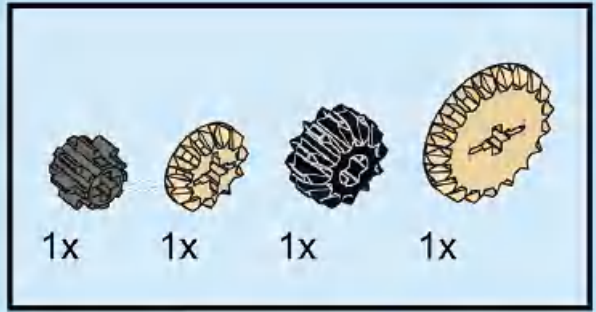




# 57

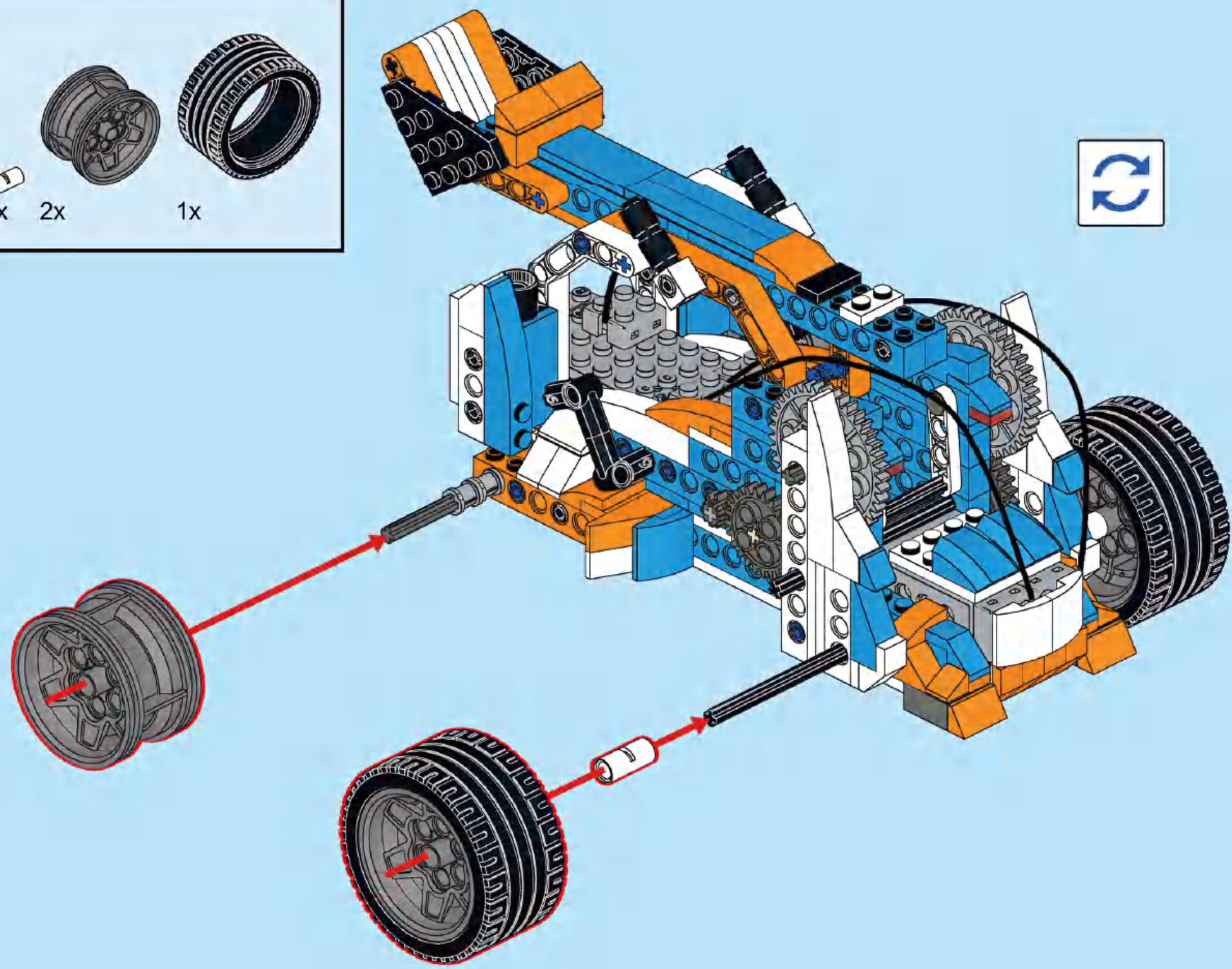
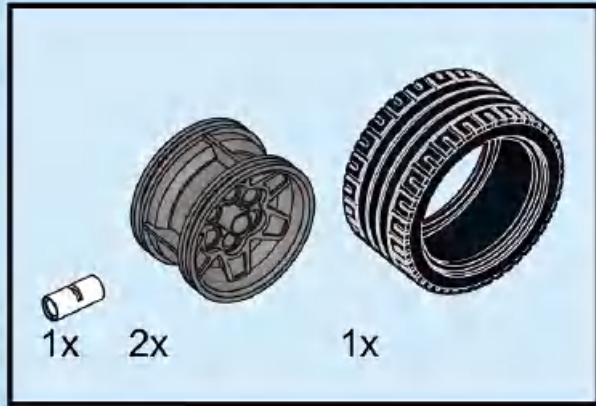






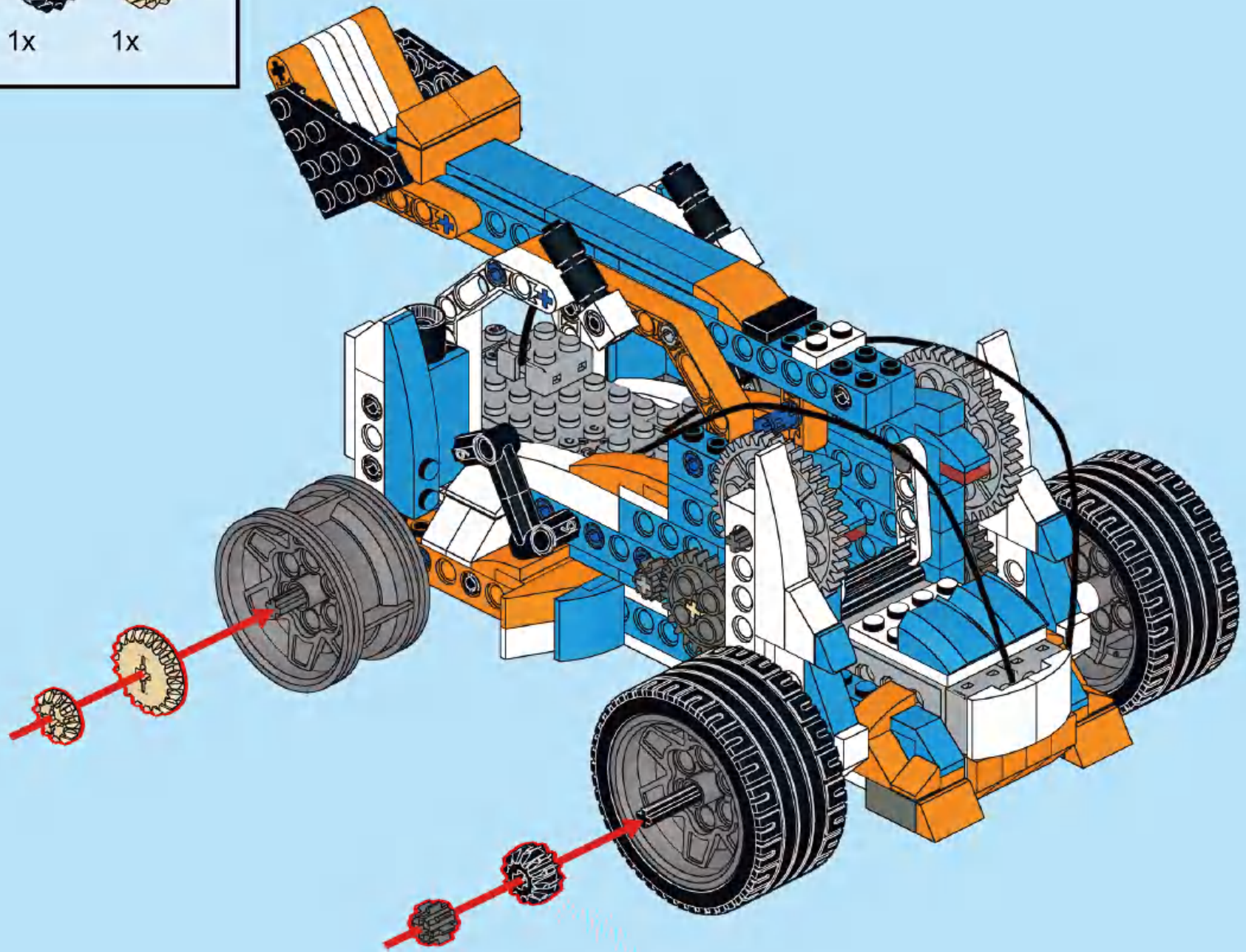
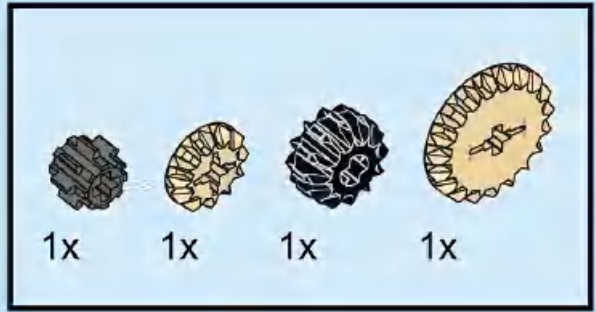


# 59



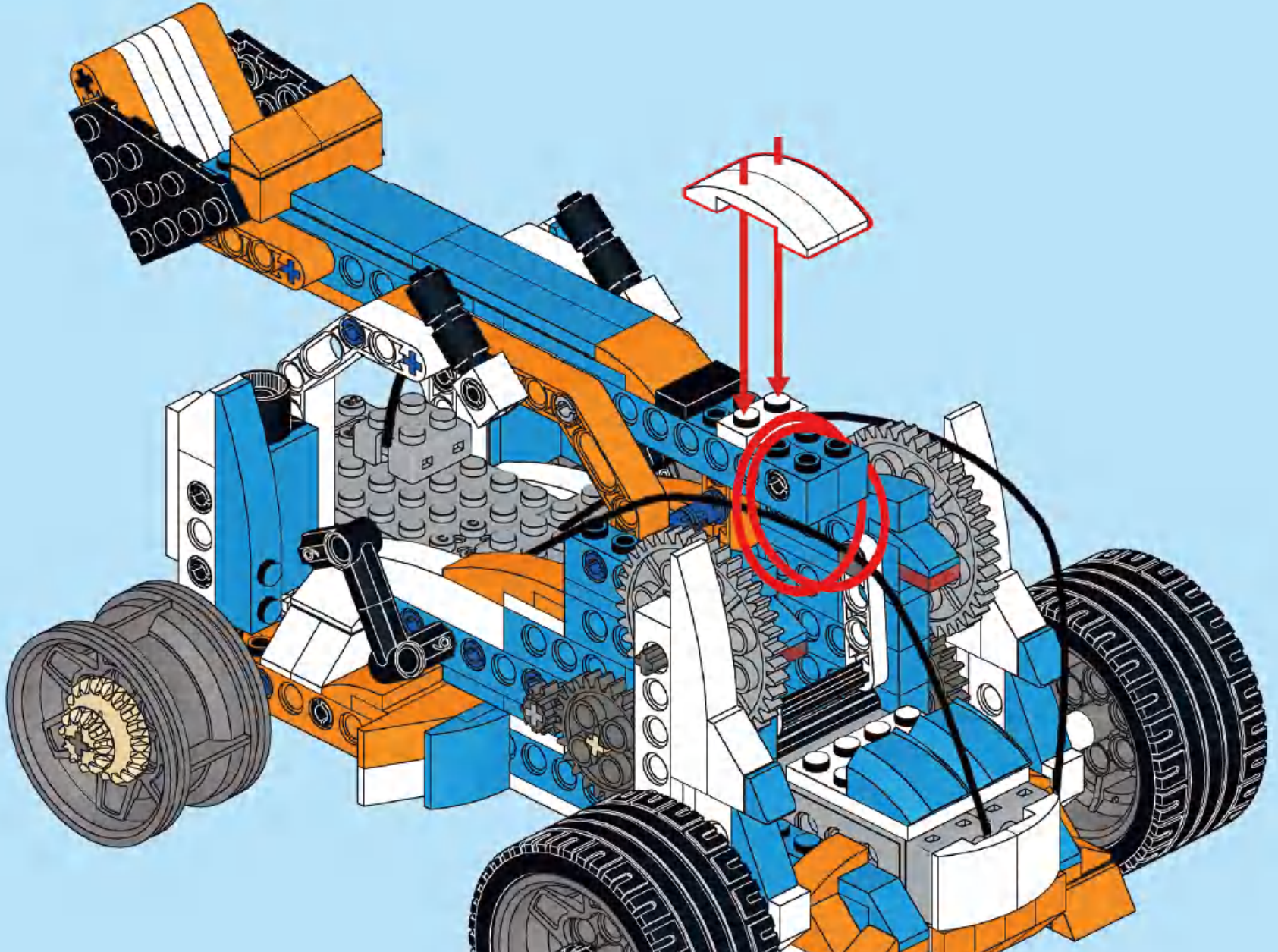
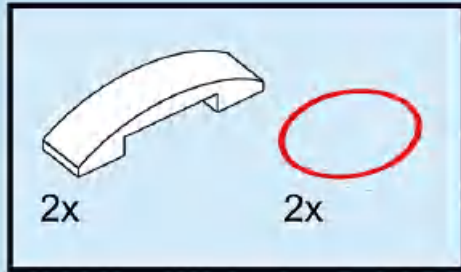


# 60

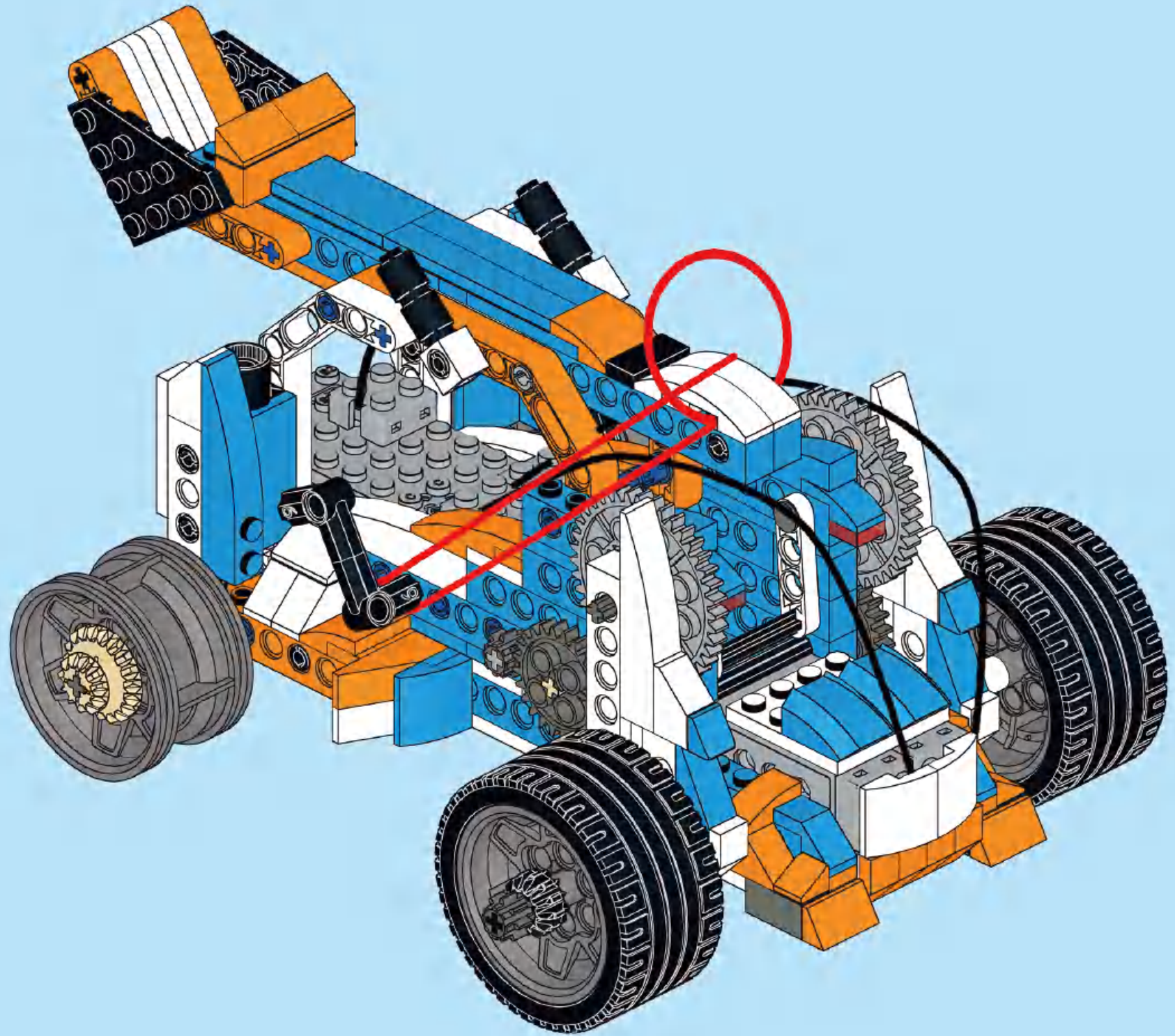




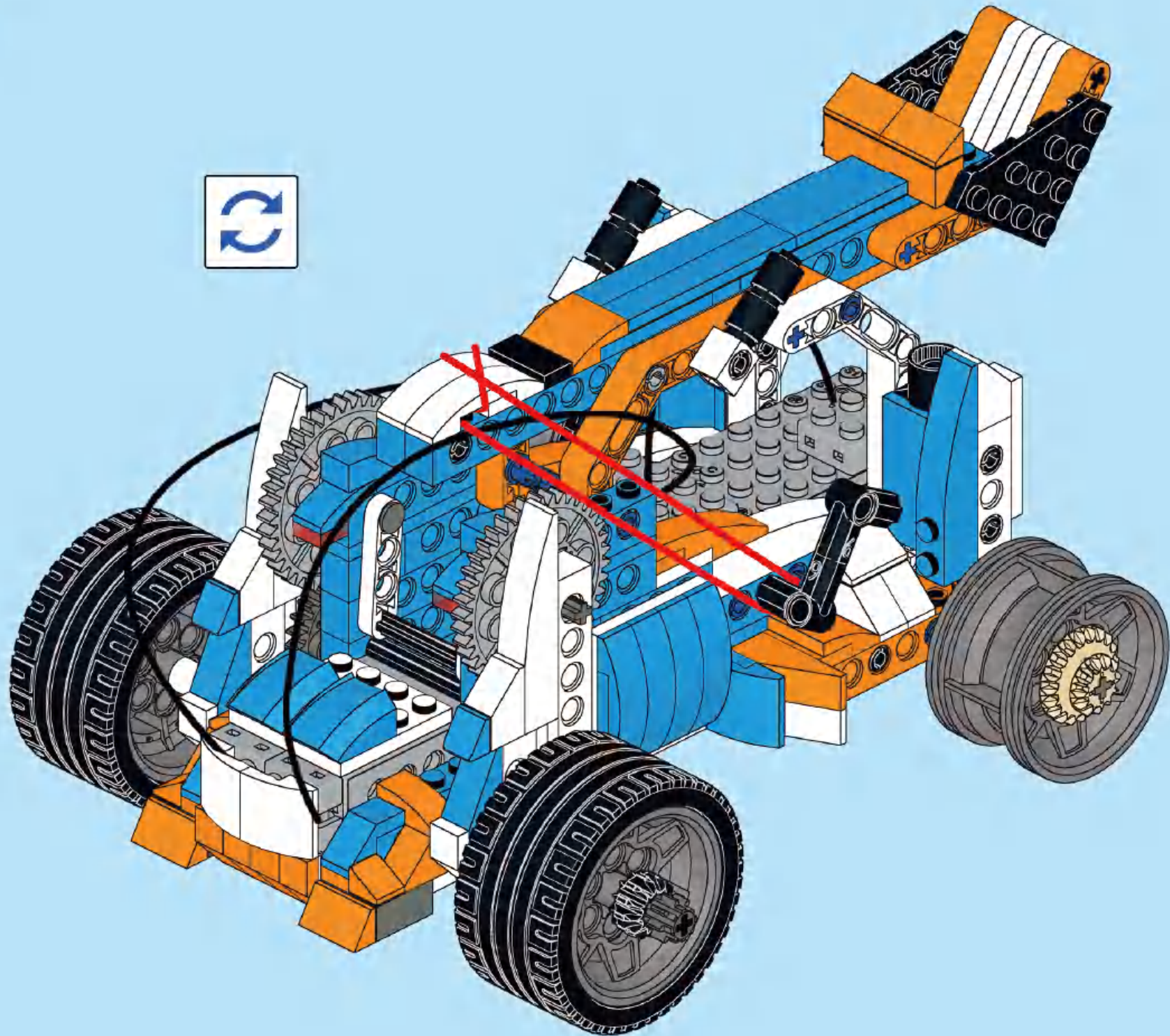
# 61











64

